

United States Patent [19]

[11] **Des. 266,426**

Dresselhaus

[45] **** Oct. 5, 1982**

[54] **FRONT PANEL FOR FLOPPY DISC DRIVE**

[75] **Inventor:** William F. Dresselhaus, Redwood City, Calif.

[73] **Assignee:** Apple Computer, Inc., Cupertino, Calif.

[**] **Term:** 14 Years

[21] **Appl. No.:** 161,274

[22] **Filed:** Jun. 20, 1980

[51] **Int. Cl.** D14-02

[52] **U.S. Cl.** D14/115; D14/109

[58] **Field of Search** D14/105, 107, 108, 109, D14/114, 115, 100, 102, 106; 360/97, 98, 99, 102, 133

[56] **References Cited**

U.S. PATENT DOCUMENTS

D. 249,343 9/1978 Ronzani D14/115

OTHER PUBLICATIONS

Computer Design, 7/78, p. 145, Persci Diskette Drive.
Computer Design, 12/78, p. 11, Data Systems, Floppy Disk System, DSD110 MOD.

General Electric Co., Terminet® DST Brochure, 5/78, Diskette Storage Terminal.

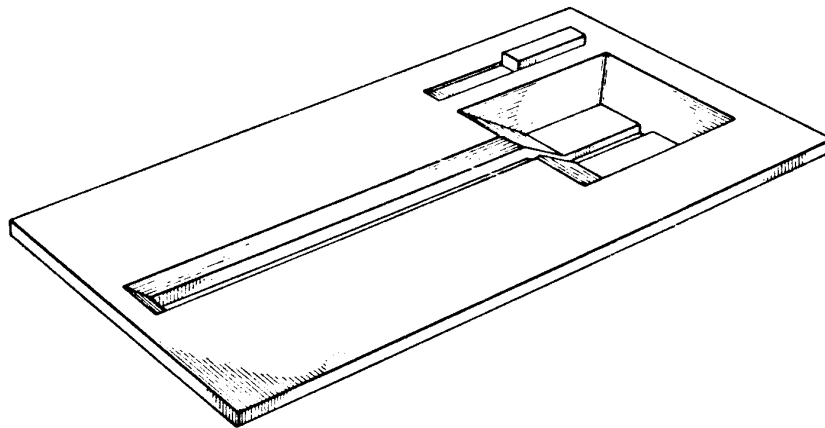
Primary Examiner—Susan J. Lucas
Attorney, Agent, or Firm—Blakeley, Sokoloff, Taylor & Zafman

[57] **CLAIM**

The ornamental design for a front panel for floppy disc drive, as shown and described.

DESCRIPTION

FIG. 1 is a perspective view of the front panel for a floppy disc drive showing my new design.
FIG. 2 is a front elevational view thereof;
FIG. 3 is a bottom view thereof;
FIG. 4 is a rear elevational view thereof;
FIG. 5 is a top view thereof;
FIG. 6 is a left side view thereof; and,
FIG. 7 is a right side view thereof;
FIG. 8 is a perspective view of an alternate embodiment of the front panel of FIGS. 1 through 7;
FIG. 9 is a front elevational view thereof;
FIG. 10 is a bottom view thereof;
FIG. 11 is a rear elevational view thereof;
FIG. 12 is a top view thereof;
FIG. 13 is a left side view thereof; and,
FIG. 14 is a right side view thereof.



Lisa computer's
front panel for
"Twiggy" floppy drive

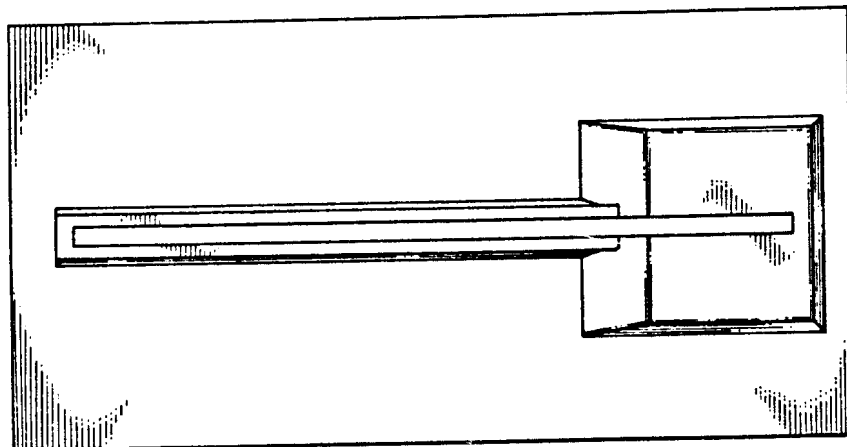


Fig. 4

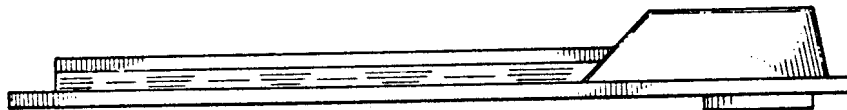


Fig. 5

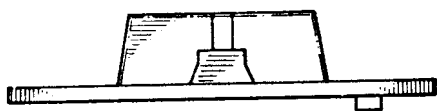


Fig. 6

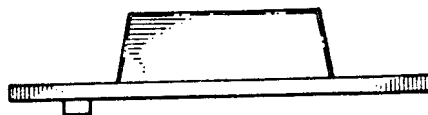


Fig. 7

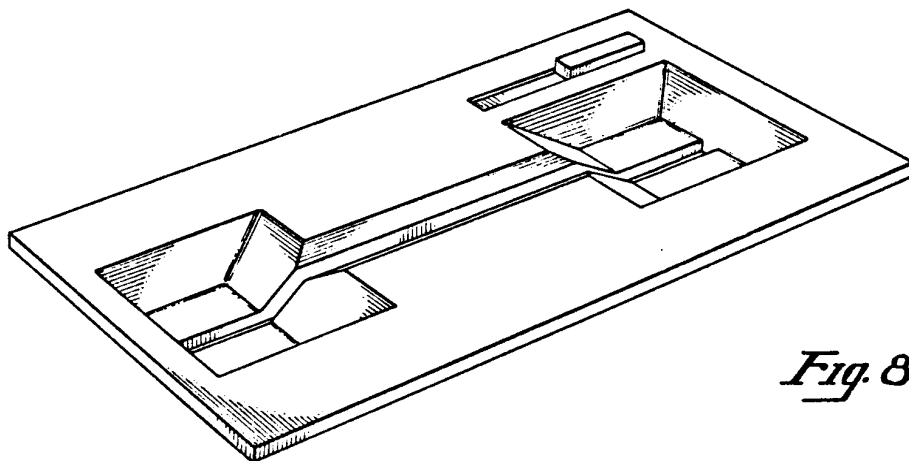


Fig. 8

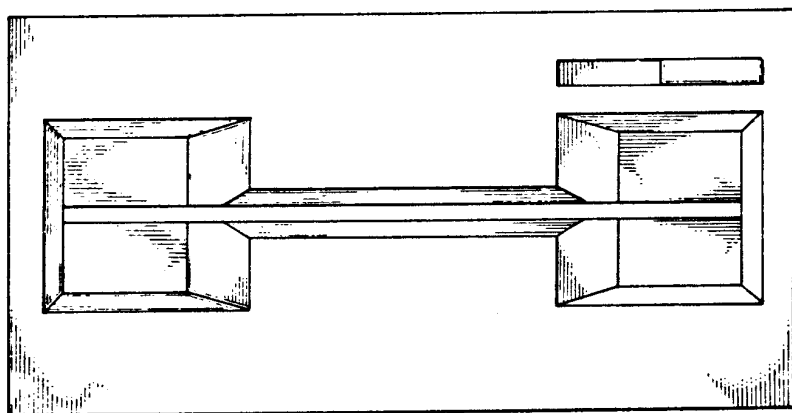


Fig. 9

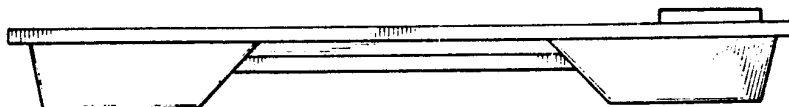


Fig. 10

Fig. 11

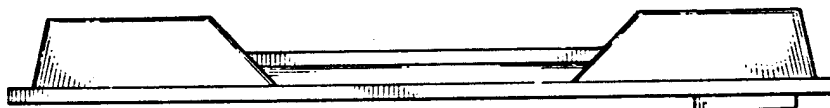
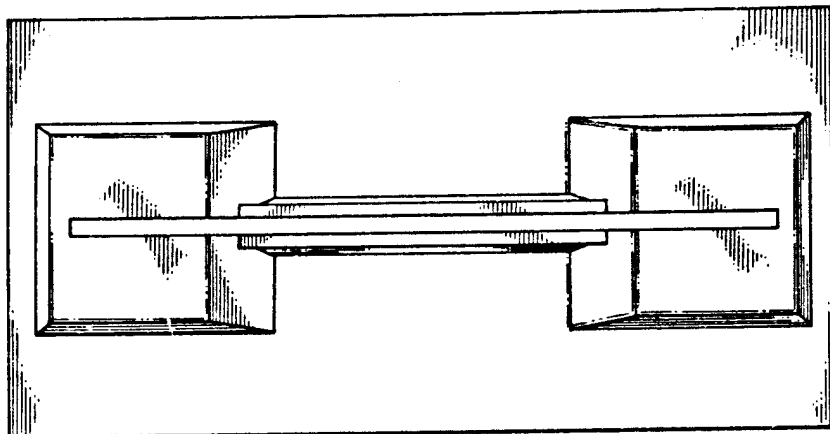


Fig. 12

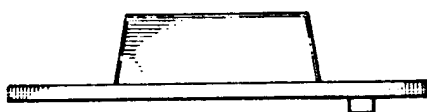


Fig. 13

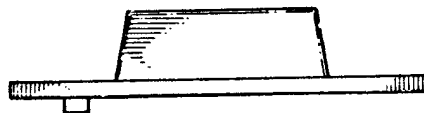


Fig. 14

United States Patent [19]

[11] **Des. 268,584**

Jobs et al.

[45] **** Apr. 12, 1983**

[54] **PERSONAL COMPUTER**

[56] **References Cited**

[75] **Inventors:** Steven P. Jobs, Los Gatos; Jerrold C. Manock, Palo Alto; Dean A. Hovey, Los Altos; David M. Kelley, Palo Alto, all of Calif.

U.S. PATENT DOCUMENTS

D. 218,933 10/1970 Cook D14/106
D. 229,945 1/1974 Santulli D14/106
D. 252,086 6/1979 Calverly D14/106

[73] **Assignee:** Apple Computer, Inc., Cupertino, Calif.

Primary Examiner—Susan J. Lucas
Attorney, Agent, or Firm—Blakely, Sokoloff, Taylor & Zafman

[**] **Term:** 14 Years

[57] **CLAIM**

The ornamental design for a personal computer, substantially as shown.

[21] **Appl. No.:** 203,502

DESCRIPTION

[22] **Filed:** Nov. 3, 1980

FIG. 1 is a perspective view of the personal computer showing our new design;

[51] **Int. Cl.** D14-02

FIG. 2 is a top view thereof;

[52] **U.S. Cl.** D14/106

FIG. 3 is a front elevational view thereof;

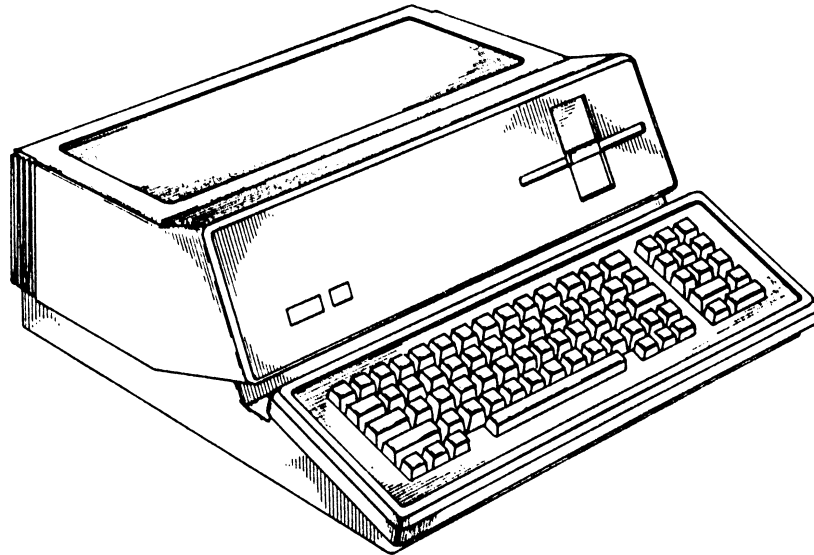
[58] **Field of Search** D14/100, 101, 102, 103, D14/105, 106, 107, 111, 113, 114; 364/419, 708, 709, 900; 340/365 R; D18/7

FIG. 4 is a right side view thereof;

FIG. 5 is a left side view thereof;

FIG. 6 is a rear elevational view thereof; and,

FIG. 7 is a bottom view thereof.



Apple /// Computer

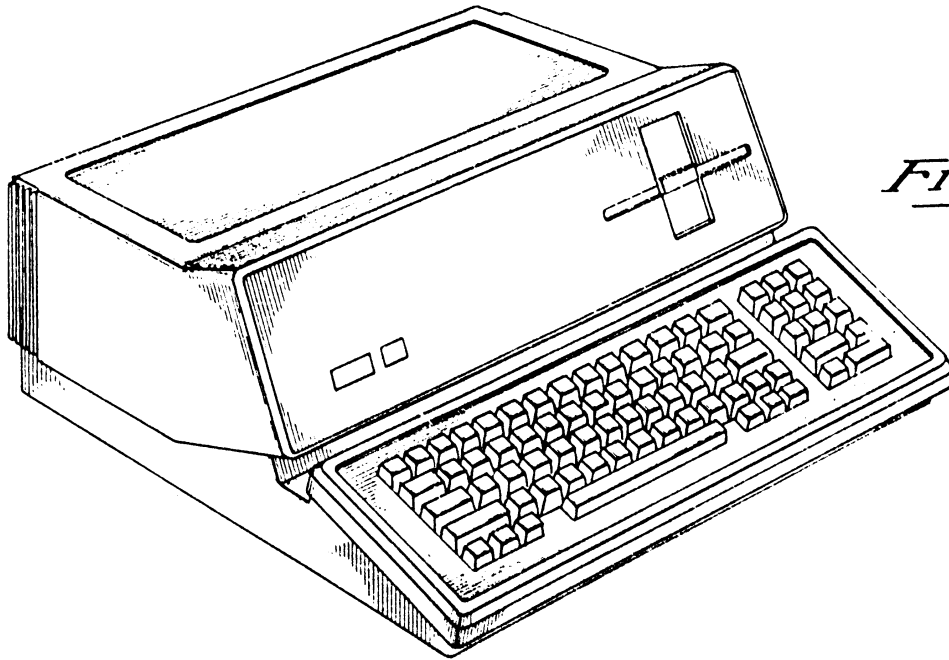


Fig. 1

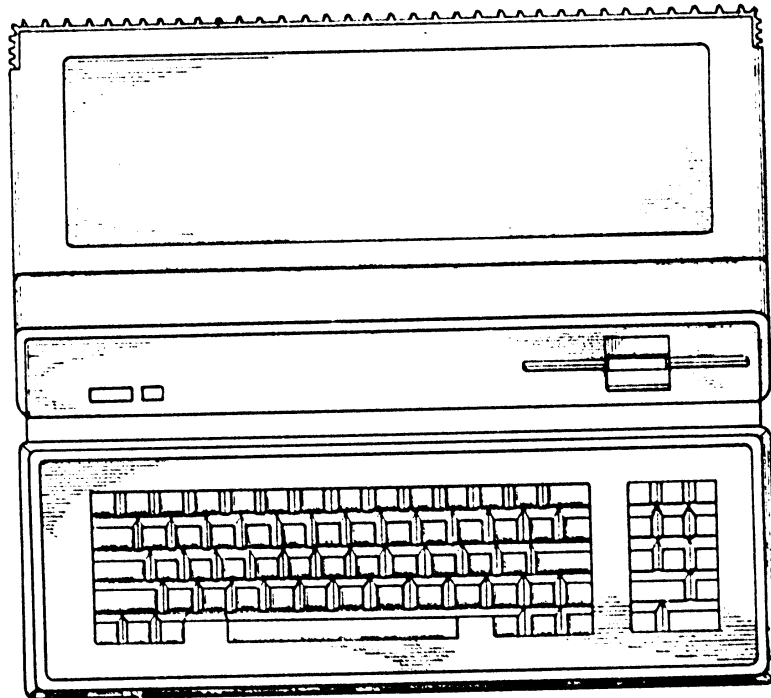


Fig. 2

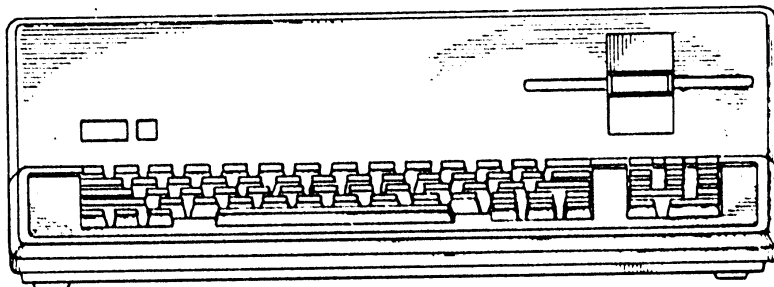


Fig. 3

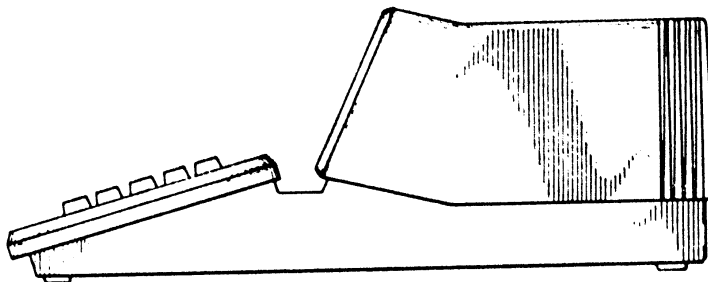


Fig. 4

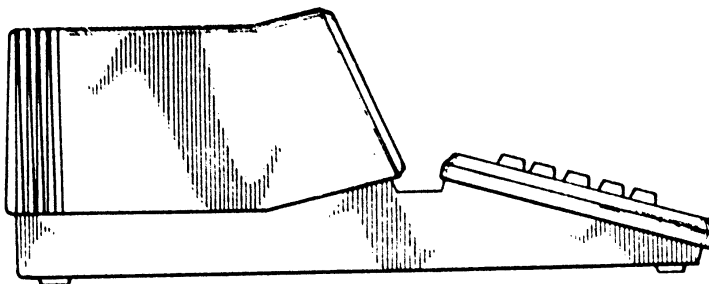


Fig. 5

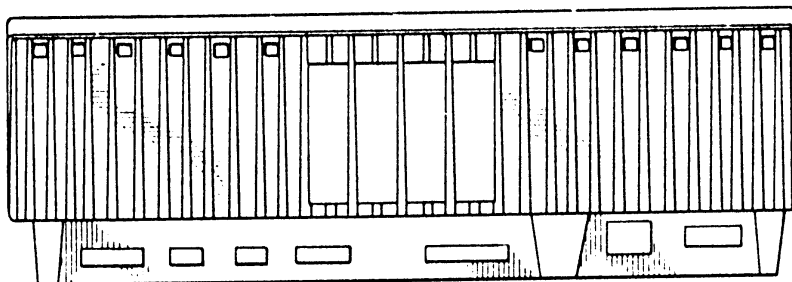


Fig. 6

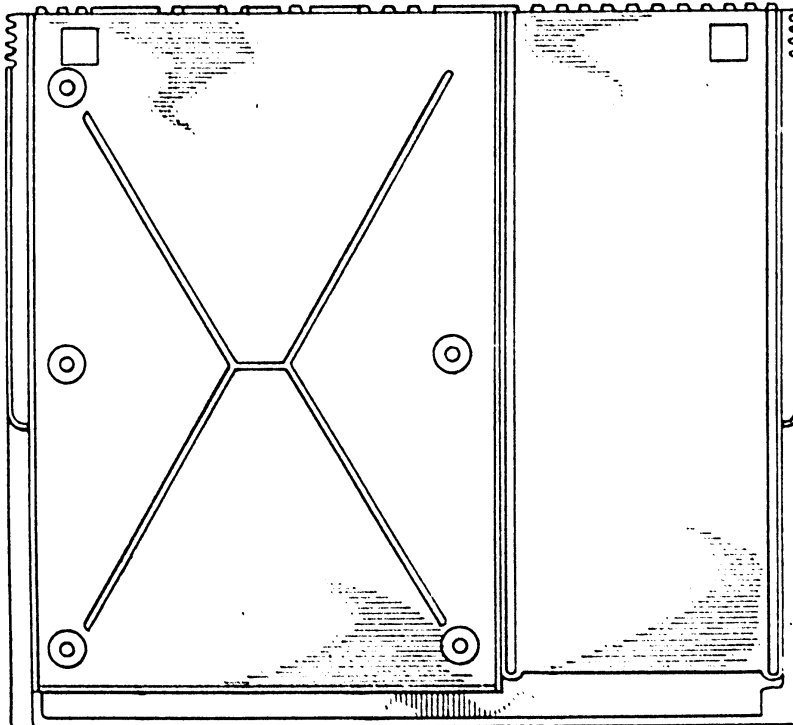


Fig. 7

United States Patent [19]

[11] **Des. 271,102**

Manock et al.

[45] **** Oct. 25, 1983**

[54] **DUAL DISK DRIVE**

[75] Inventors: **Jerrold C. Manock, Palo Alto; James R. Stewart, San Jose, both of Calif.**

[73] Assignee: **Apple Computer, Inc., Cupertino, Calif.**

[**] Term: **14 Years**

[21] Appl. No.: **295,091**

[22] Filed: **Aug. 24, 1981**

[51] Int. Cl. **D14-02**

[52] U.S. Cl. **D14/109**

[58] Field of Search **D14/100-115; 364/900; 360/99, 98**

[56] **References Cited**

U.S. PATENT DOCUMENTS

D. 266,426 10/1982 Dresselhaus **D14/115**

OTHER PUBLICATIONS

Computer Design, 7-78, p. 145, Persci Diskette Drive.

Primary Examiner—Susan J. Lucas

Attorney, Agent, or Firm—Blakely, Sokoloff, Taylor & Zafman

[57] **CLAIM**

The ornamental design for a dual disk drive, substantially as shown and described.

DESCRIPTION

FIG. 1 is a perspective view of the dual disk drive showing our new design;

FIG. 2 is a top plan view thereof;

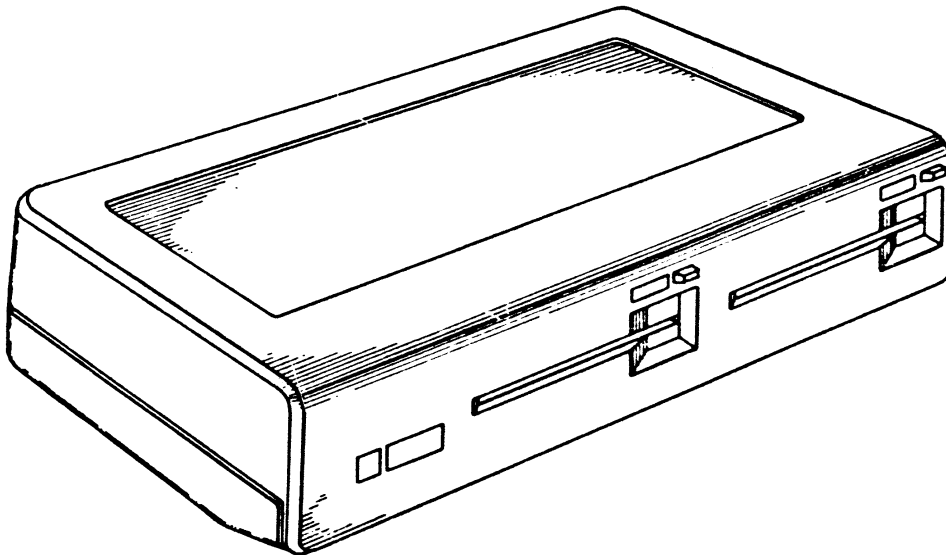
FIG. 3 is a front elevational view thereof;

FIG. 4 is a right side elevational view thereof;

FIG. 5 is a left side elevational view thereof;

FIG. 6 is a rear elevational view thereof;

FIG. 7 is a bottom plan view thereof.



Apple 2 DuoFile

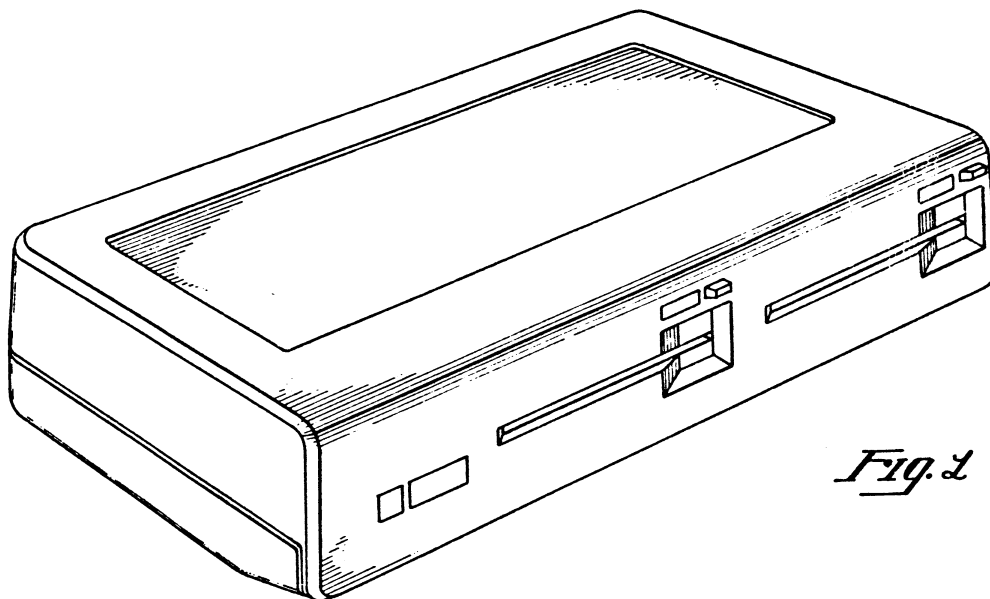


Fig. 1

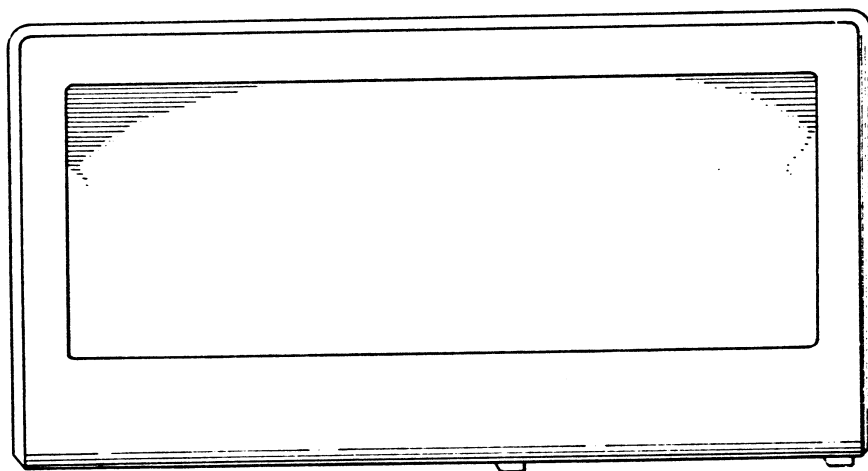


Fig. 2

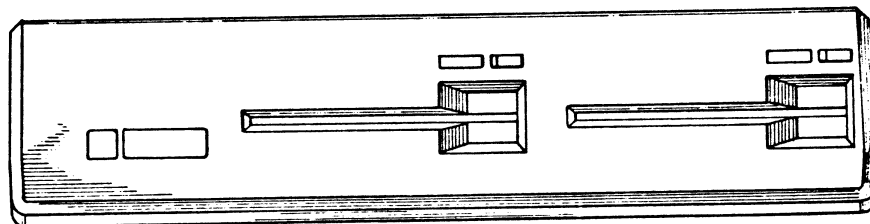


Fig. 3

Fig. 4

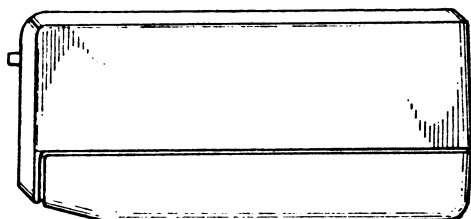


Fig. 5

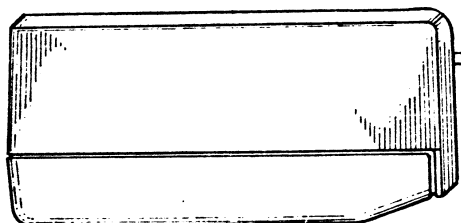


Fig. 6

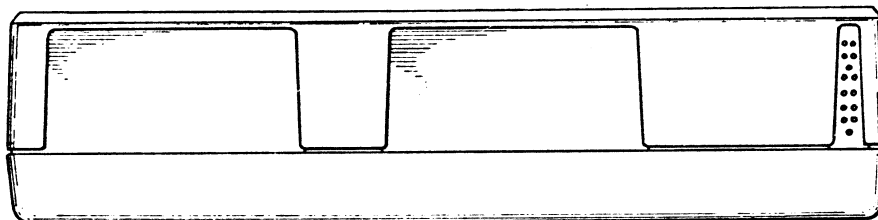
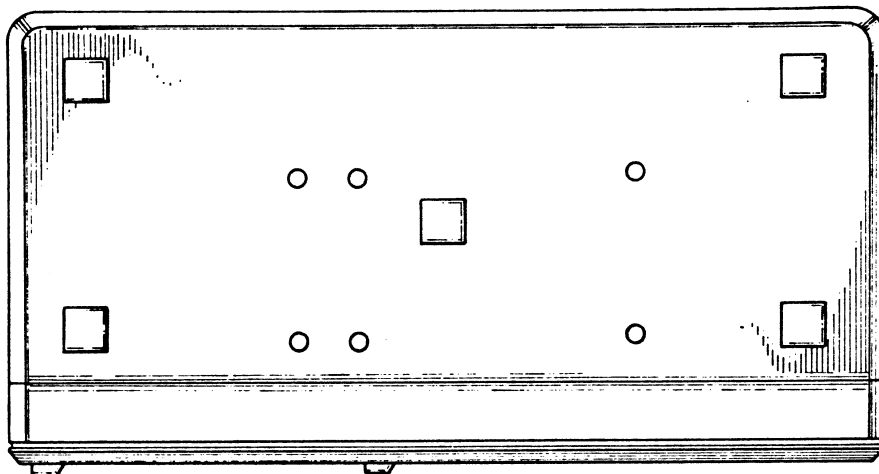


Fig. 7



United States Patent [19]
Oyama et al.

[11] **Des. 273,191**
[45] ** **Mar. 27, 1984**

[54] **COMPUTER DATA DISPLAY MONITOR**

[75] **Inventors:** Terrell A. Oyama, San Jose; Loren D. Stirling, Pleasanton, both of Calif.

[73] **Assignee:** Apple Computer, Inc., Cupertino, Calif.

[**] **Term:** 14 Years

[21] **Appl. No.:** 321,235

[22] **Filed:** Nov. 13, 1981

[52] **U.S. Cl.** D14/113

[58] **Field of Search** D14/100-117;
340/365 R, 700, 711, 720, 750

[56] **References Cited**

U.S. PATENT DOCUMENTS

D. 250,020 10/1978 Pycha D14/113

OTHER PUBLICATIONS

Computer Design, 2/80, p. 17, Hitachi, Ltd., Color Monitor.

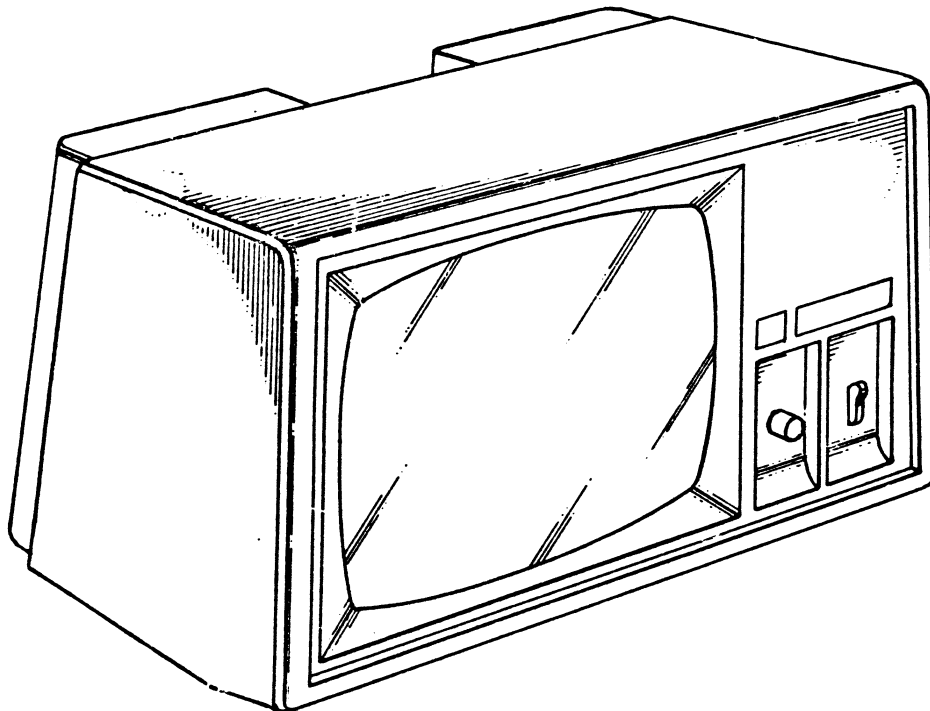
Primary Examiner—Susan J. Lucas
Attorney, Agent, or Firm—Blakely, Sokoloff, Taylor & Zafman

[57] **CLAIM**

The ornamental design for a computer data display monitor, substantially as shown and described.

DESCRIPTION

FIG. 1 is a perspective view of a computer data display monitor showing our new design;
FIG. 2 is a front view thereof;
FIG. 3 is a top view thereof;
FIG. 4 is a right side view thereof;
FIG. 5 is a rear view thereof; and,
FIG. 6 is a bottom view thereof.



Apple 3 "Monitor III"

U.S. Patent Mar. 27, 1984 Sheet 1 of 2 Des. 273,191

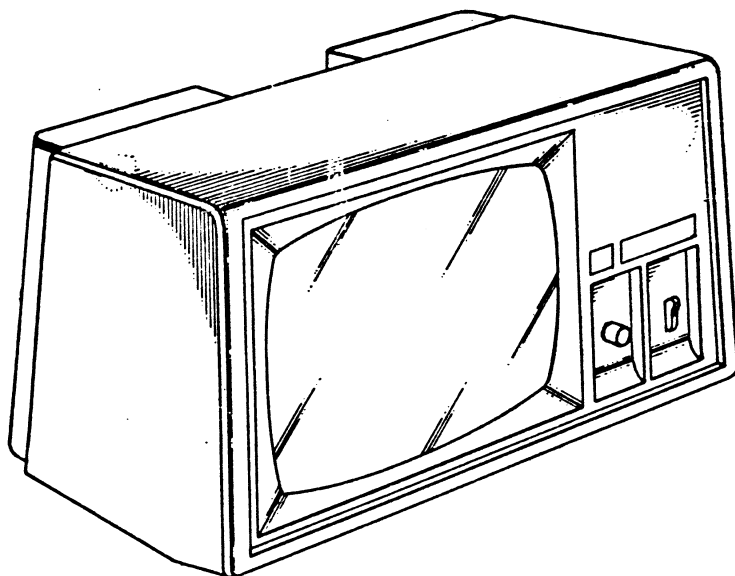


Fig. 1

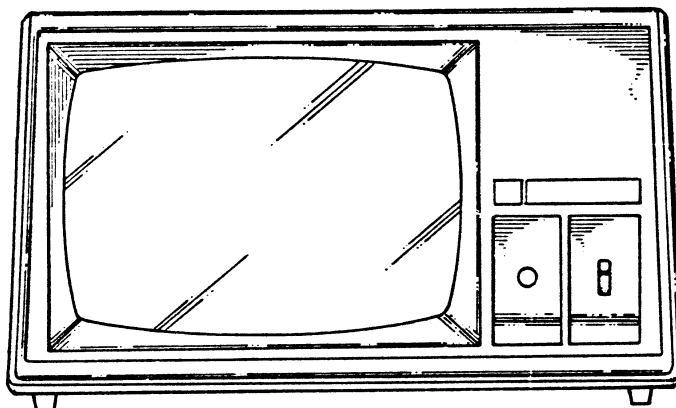


Fig. 2

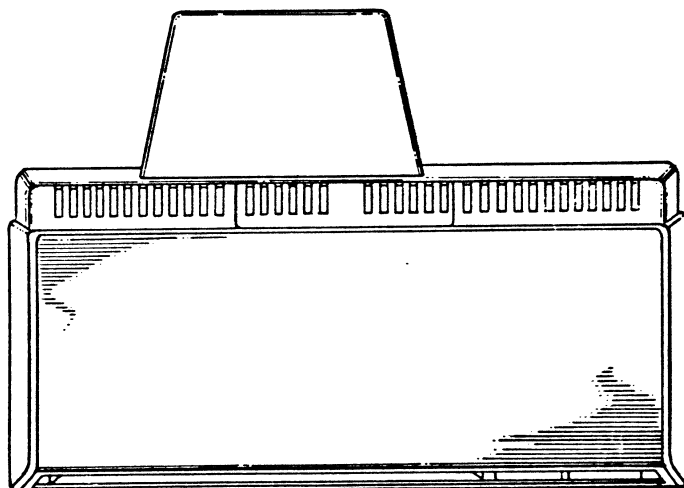


Fig. 3

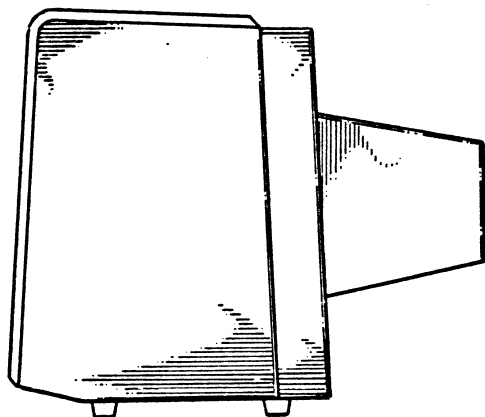


Fig. 4

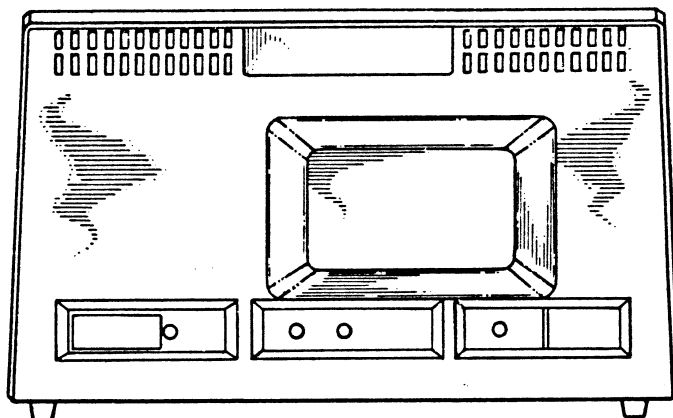


Fig. 5

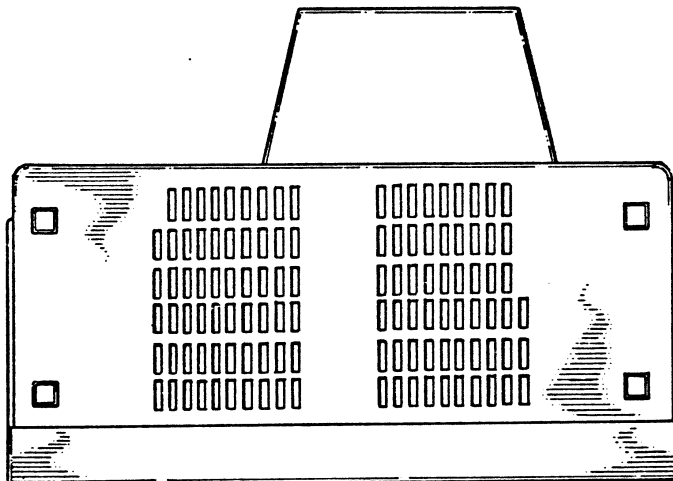


Fig. 6

United States Patent [19]

Stewart

[11] **Des. 273,295**

[45] **** Apr. 3, 1984**

[54] **HARD DISK DRIVE**

[75] **Inventor:** James R. Stewart, San Jose, Calif.

[73] **Assignee:** Apple Computer, Inc., Cupertino, Calif.

[**] **Term:** 14 Years

[21] **Appl. No.:** 322,922

[22] **Filed:** Nov. 19, 1981

[52] **U.S. Cl.** D14/109

[58] **Field of Search** D14/100-116;
D13/41; 361/380, 390, 394; 360/97, 98, 133;
364/900

[56] **References Cited**

U.S. PATENT DOCUMENTS

3,789,273 1/1974 O'Brien 360/97 X
3,899,794 8/1975 Brown, Jr. D14/109 X

OTHER PUBLICATIONS

North Star Computers, Inc., Catalog, 5-1980, p. 8, Hard Disk Drive.

Radio Shack TRS-80™ Microcomputer Catalog RSC-3, ©1979, p. 10, VOXBOX™ Housing.

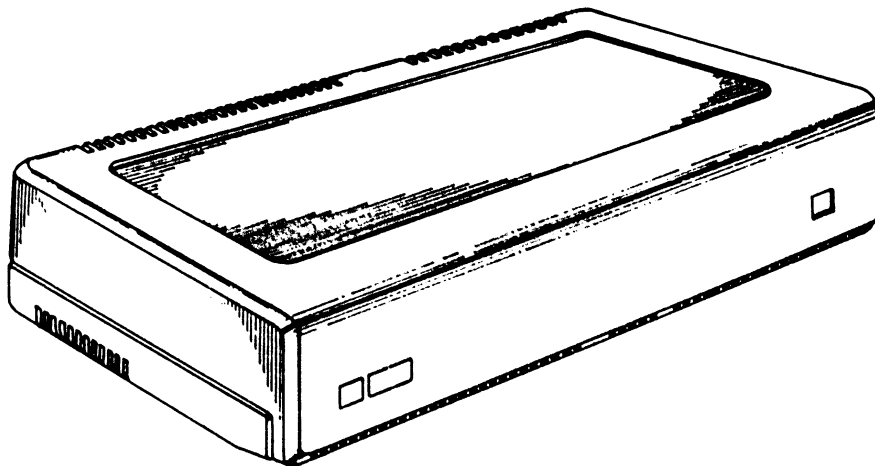
Primary Examiner—Susan J. Lucas
Attorney, Agent, or Firm—Blakely, Sokoloff, Taylor & Zafman

[57] **CLAIM**

The ornamental design for a hard disk drive, substantially as shown and described.

DESCRIPTION

FIG. 1 is a perspective view of the hard disk drive showing my new design;
FIG. 2 is a top view thereof;
FIG. 3 is a front view thereof;
FIG. 4 is a rear view thereof;
FIG. 5 is a right side view thereof; and
FIG. 6 is a left side view thereof.



Apple "ProFile" hard disk
(for Apple 3 and Lisa)

U.S. Patent

Apr. 3, 1984

Sheet 1 of 2

Des. 273,295

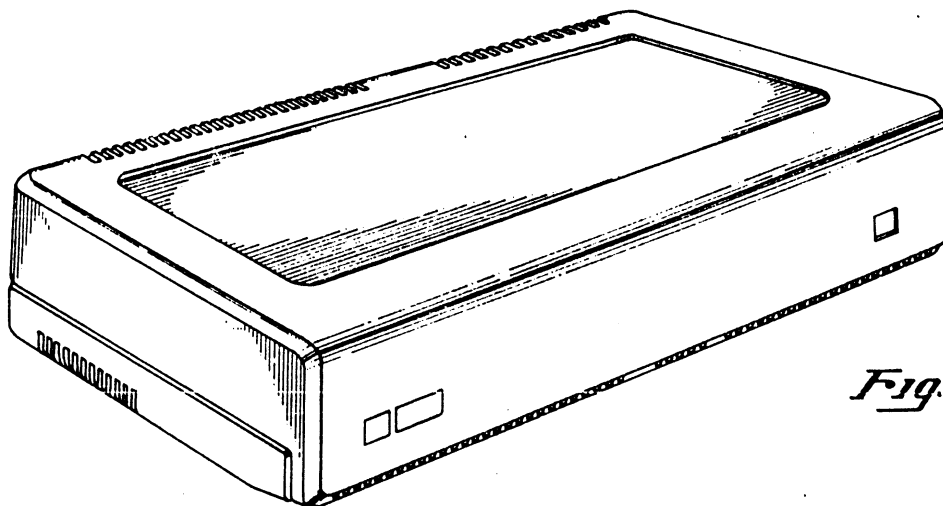


Fig. 1

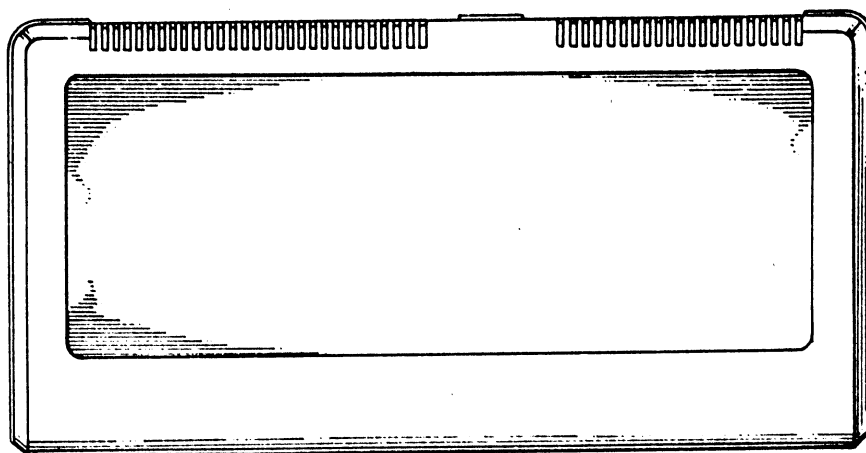


Fig. 2

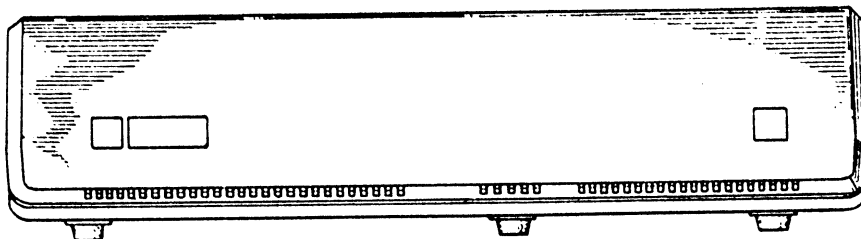


Fig. 3

U.S. Patent

Apr. 3, 1984

Sheet 2 of 2

Des. 273,295

Fig. 4

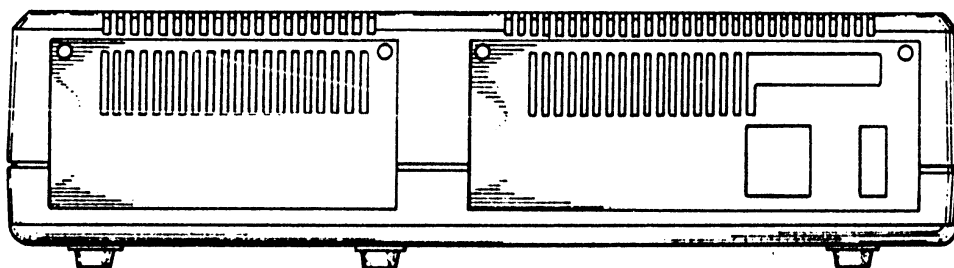


Fig. 5

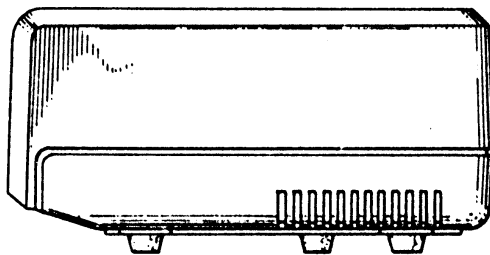
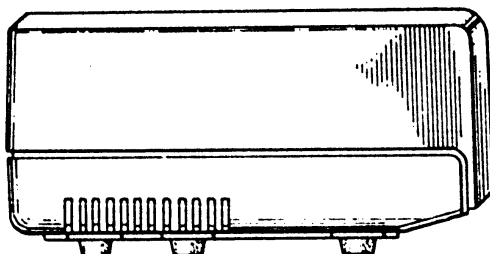


Fig. 6



United States Patent [19]

Dresselhaus et al.

[11] Patent Number: **Des. 277,673**

[45] Date of Patent: **** Feb. 19, 1985**

[54] **COMPUTER**

D. 227,772 7/1973 Carroll et al. D14/100

[75] Inventors: **William F. Dresselhaus**, Redwood City; **Kenneth S. Campbell**, Mountain View; **Clive R. Twyman**, Fremont, all of Calif.; **Douglas C. Dayton**, Cambridge, Mass.

OTHER PUBLICATIONS

Infosystems, 5-1980, p. 61, Burroughs Word Processor. Lanier® Super No Problem™ Typewriter Brochure © 1981, Word Processor.

[73] Assignee: **Apple Computer, Inc.**, Cupertino, Calif.

Primary Examiner—Susan J. Lucas
Attorney, Agent, or Firm—Blakely, Sokoloff, Taylor & Zafman

[**] Term: **14 Years**

[57] **CLAIM**

[21] Appl. No.: **387,029**

The ornamental design for a computer, substantially as shown.

[22] Filed: **Jun. 10, 1982**

[52] U.S. Cl. **D14/106**

[58] Field of Search **D14/100-116;**
340/700, 711, 720

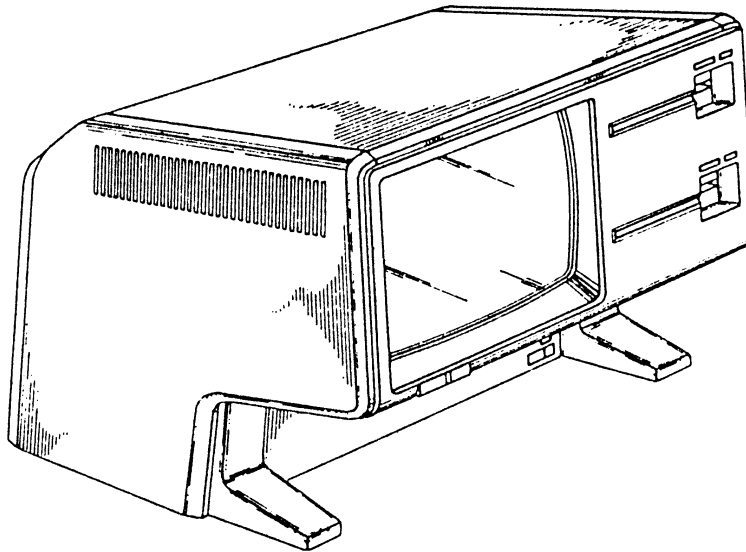
DESCRIPTION

FIG. 1 is a perspective view of a computer showing our new design;
FIG. 2 is a front elevational view thereof;
FIG. 3 is a top plan view thereof;
FIG. 4 is a right side elevational view thereof;
FIG. 5 is a rear elevational view thereof; and,
FIG. 6 is a left side elevational view thereof.

[56] **References Cited**

U.S. PATENT DOCUMENTS

D. 218,436 8/1970 Morgan et al. D14/108
D. 227,256 6/1973 Conway et al. D14/106



Apple Lisa computer

U.S. Patent Feb. 19, 1985 Sheet 1 of 2 Des. 277,673

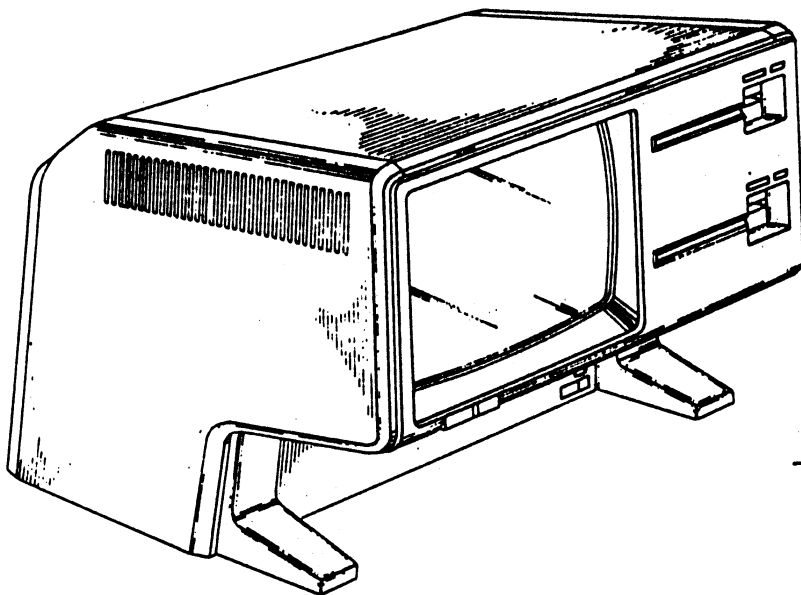


Fig. 1

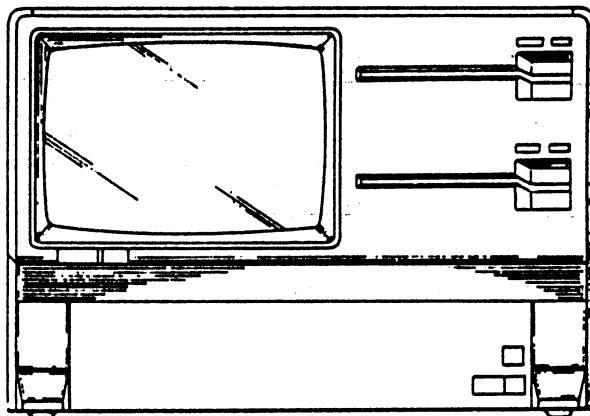


Fig. 2

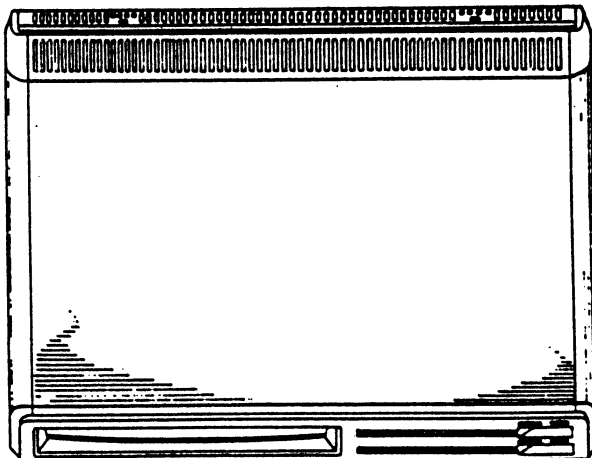


Fig. 3

U.S. Patent Feb. 19, 1985 **Sheet 2 of 2** **Des. 277,673**

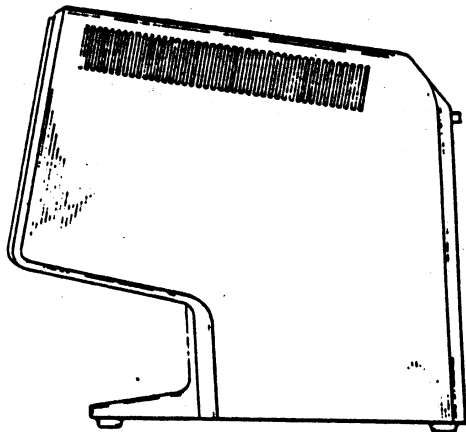


Fig. 4

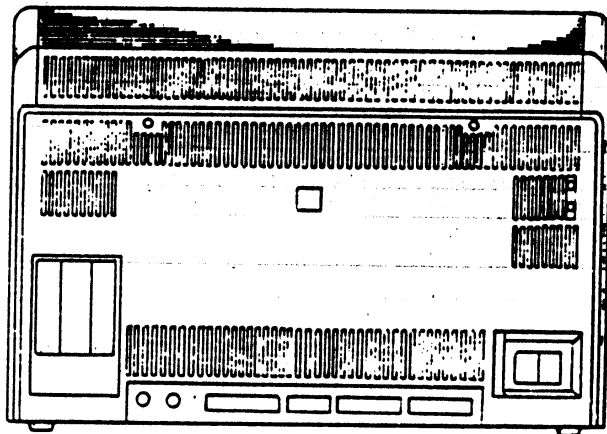


Fig. 5

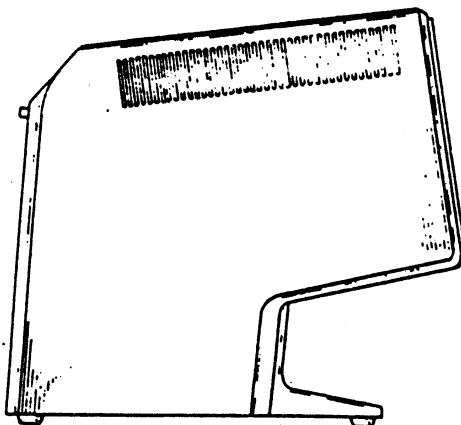


Fig. 6

United States Patent [19]
Esslinger et al.

[11] **Patent Number: Des. 284,008**
[45] **Date of Patent: ** May 27, 1986**

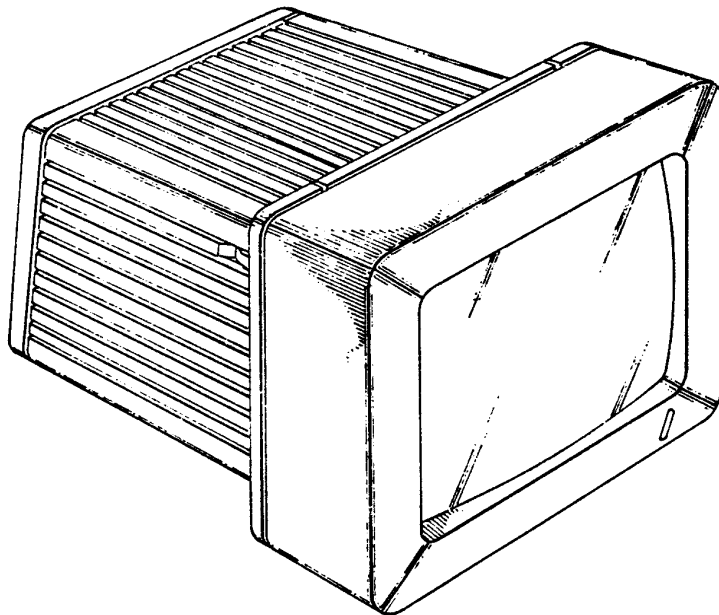
- [54] **VIDEO DISPLAY FOR USE WITH A COMPUTER**
- [75] **Inventors:** Hartmut H. Esslinger; Stephen Peart, both of Los Gatos; William G. MacKenzie, San Jose, all of Calif.
- [73] **Assignee:** Apple Computer, Inc., Cupertino, Calif.
- [**] **Term:** 14 Years
- [21] **Appl. No.:** 602,657
- [22] **Filed:** Apr. 20, 1984
- [52] **U.S. CL** D14/113
- [58] **Field of Search** D14/100, 106, 113, 80-85; 340/700, 711; 358/254; 312/7.2

- [56] **References Cited**
U.S. PATENT DOCUMENTS
- D. 259,343 5/1981 Chamberlain et al. D14/113
- D. 271,103 10/1983 Endt D14/113
- D. 278,911 5/1985 Ohnuma et al. D14/113

Primary Examiner—Susan J. Lucas
Attorney, Agent, or Firm—Blakely, Sokoloff, Taylor & Zafman

[57] **CLAIM**
The ornamental design for a video display for use with a computer, substantially as shown.

DESCRIPTION
FIG. 1 is a front perspective view of the video display for use with a computer showing our new design;
FIG. 2 is a top plan view thereof;
FIG. 3 is a front elevational view thereof;
FIG. 4 is a right side elevational view thereof;
FIG. 5 is a left side elevational view thereof;
FIG. 6 is a rear elevational view thereof;
FIG. 7 is a bottom plan view thereof.



Apple 2c

U.S. Patent May 27, 1986 Sheet 1 of 3 Des. 284,008

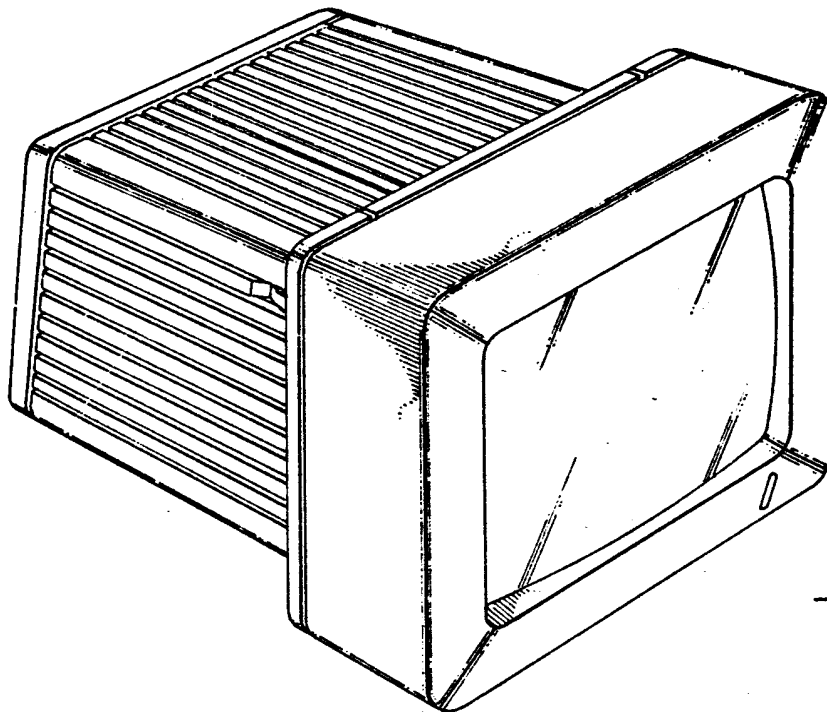


Fig. 1

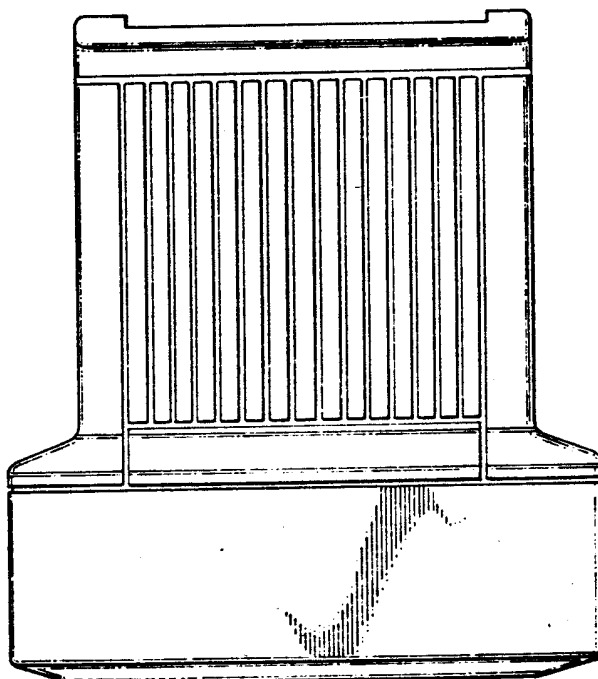


Fig. 2

U.S. Patent May 27, 1986 Sheet 2 of 3 Des. 284,008

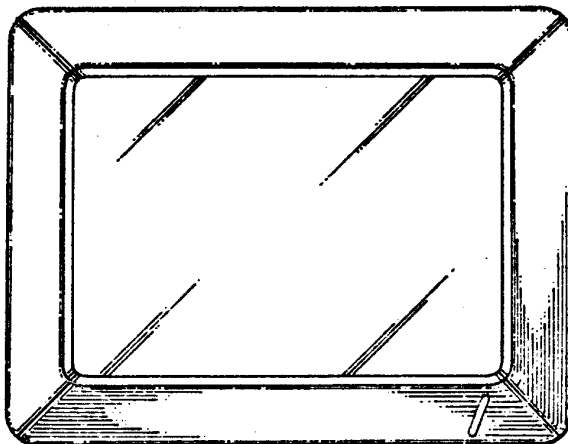


Fig. 3

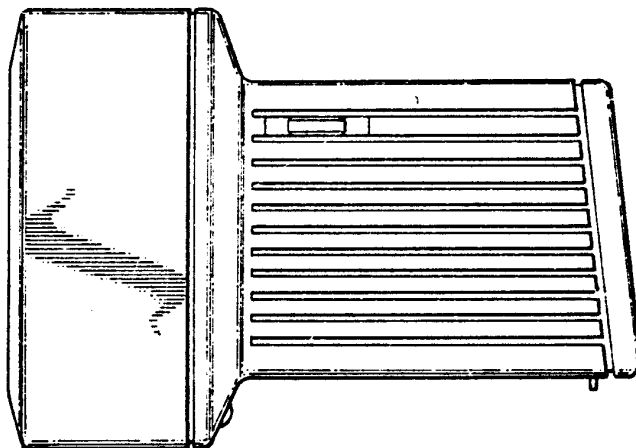
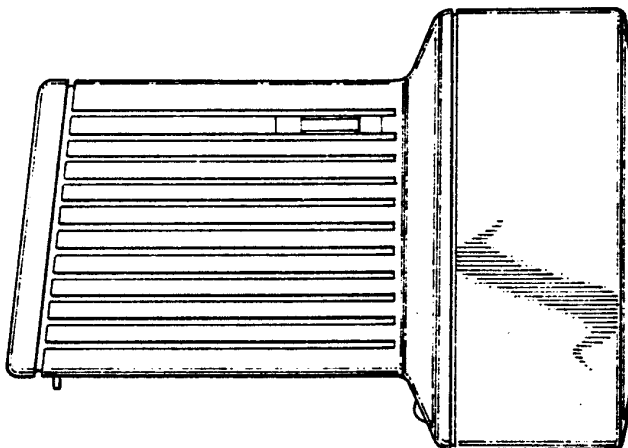


Fig. 4

Fig. 5



U.S. Patent May 27, 1986 Sheet 3 of 3 Des. 284,008

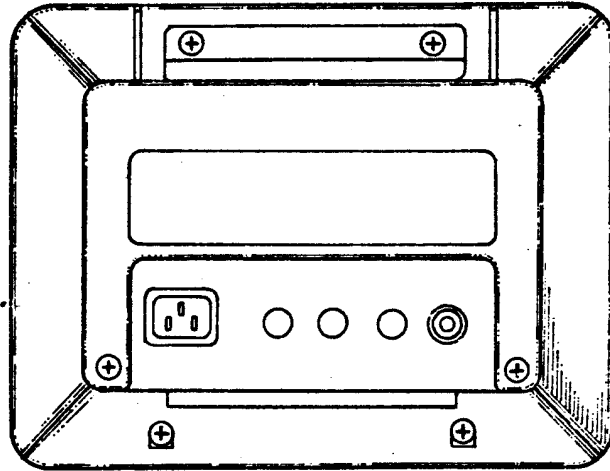


Fig. 6

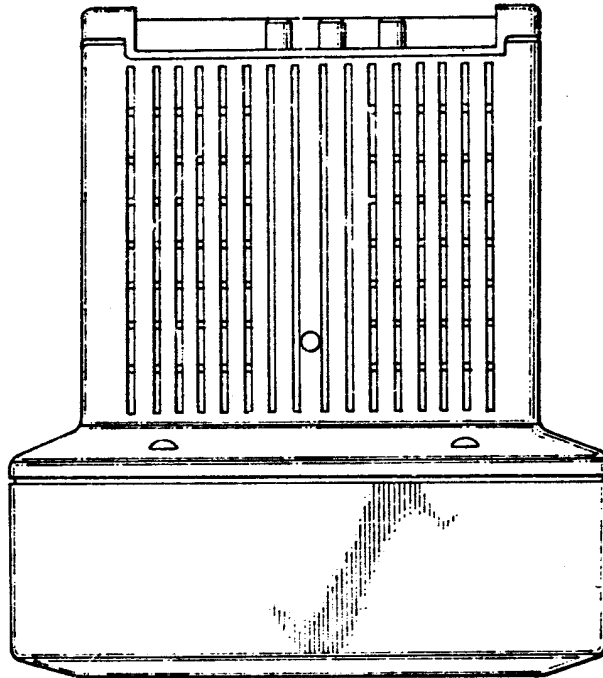


Fig. 7

United States Patent [19]

Manock et al.

[11] **Patent Number: Des. 284,284**

[45] **Date of Patent: ** Jun. 17, 1986**

[54] **HOUSING FOR MOVABLE CURSOR CONTROL FOR A VIDEO DISPLAY**

[75] **Inventors:** Jerrold C. Manock, Palo Alto; Terrell A. Oyama, Los Altos; James R. Yurchenco, Palo Alto, all of Calif.

[73] **Assignee:** Apple Computer, Inc., Cupertino, Calif.

[**] **Term:** 14 Years

[21] **Appl. No.:** 541,713

[22] **Filed:** Oct. 13, 1983

[52] **U.S. Cl.** D14/114; D13/38

[58] **Field of Search** D14/100-117; 340/365 R, 706, 709, 710, 711; D13/32, 38; 273/148 B; 33/1 M; 178/18, 19

[56] **References Cited**

U.S. PATENT DOCUMENTS

4,064,560 12/1977 Baxter 340/365 R X

4,464,652 8/1984 Lapsen et al. 340/709 X

OTHER PUBLICATIONS

Evans Gift Catalog, 1978, p. 246-X, Coleco Telstar Regent TM Game, Remote Control.

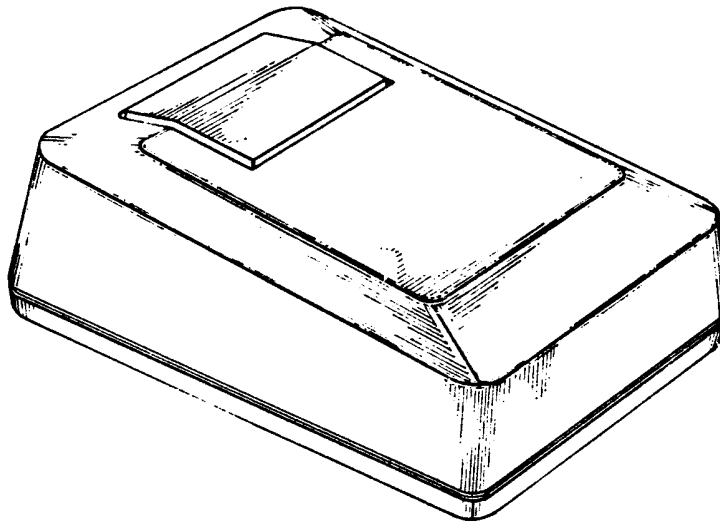
Primary Examiner—Susan J. Lucas
Attorney, Agent, or Firm—Blakely, Sokoloff, Taylor & Zafman

[57] **CLAIM**

The ornamental design for a housing for movable cursor control for a video display, substantially as shown.

DESCRIPTION

FIG. 1 is a perspective view of a housing for a video display showing our new design; FIG. 2 is a top plan view thereof; FIG. 3 is a right side elevational view thereof; FIG. 4 is a front elevational view thereof; FIG. 5 is a rear elevational view thereof; FIG. 6 is a bottom plan view thereof.



Macintosh

U.S. Patent Jun. 17, 1986 Sheet 1 of 2 Des. 284,284

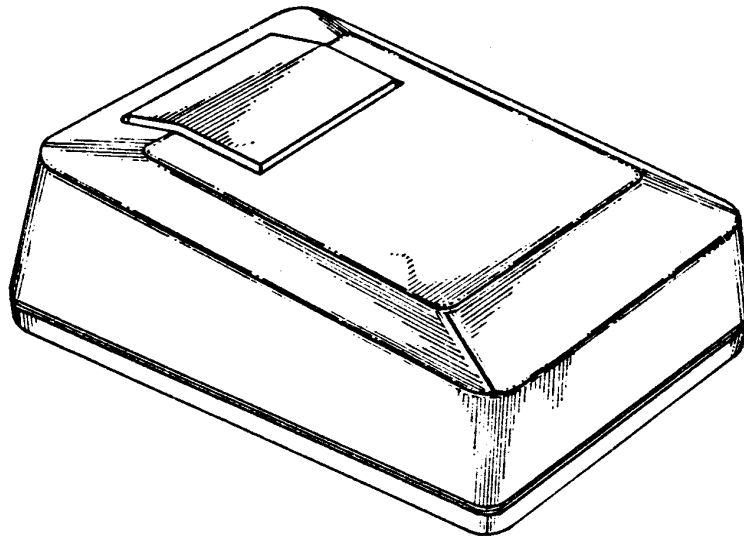


Fig. 1

Fig. 2

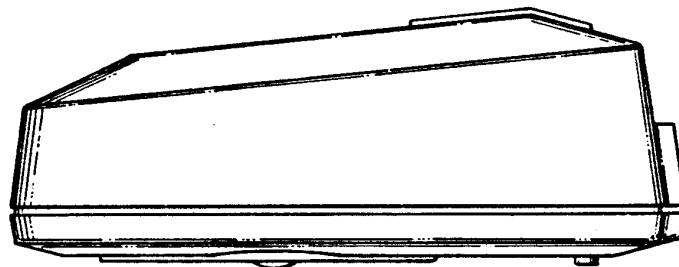
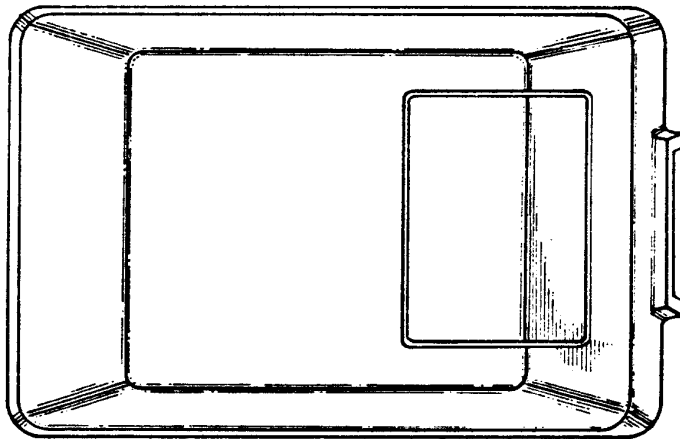


Fig. 3

U.S. Patent Jun. 17, 1986 Sheet 2 of 2 Des. 284,284

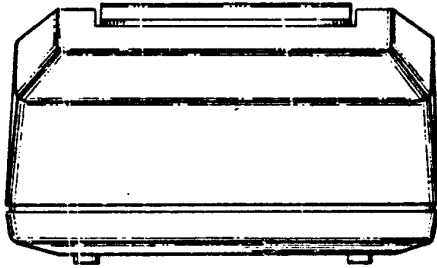


Fig. 4

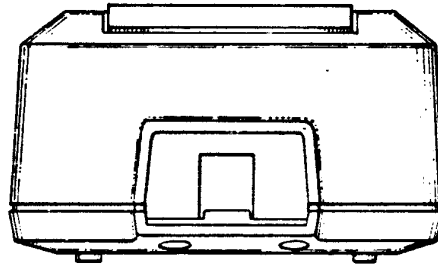


Fig. 5

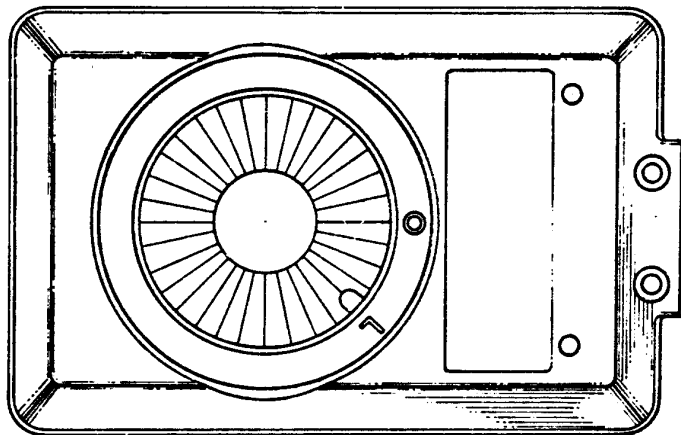


Fig. 6

United States Patent [19]
Roots et al.

[11] **Patent Number: Des. 286,047**
[45] **Date of Patent: ** Oct. 7, 1986**

- [54] **KEYPAD**
- [75] **Inventors:** David Roots, Santa Cruz; Jerrold C. Manock, Palo Alto; Terrell A. Oyama, Los Altos, all of Calif.
- [73] **Assignee:** Apple Computer, Inc., Cupertino, Calif.
- [**] **Term:** 14 Years
- [21] **Appl. No.:** 581,920
- [22] **Filed:** Feb. 21, 1984
- [52] **U.S. CL.** D14/100
- [58] **Field of Search** D14/100, 105, 106, 107, D14/114; D13/32, 37, 38; 340/365 R, 706; 235/145 R; 200/5 A, 5 R

4,064,560 12/1977 Baxter 340/365 R X

OTHER PUBLICATIONS

Apple III Personal Computer System Brochure, 5-1982, Keyboard.

Primary Examiner—Susan J. Lucas
Attorney, Agent, or Firm—Blakely, Sokoloff, Taylor & Zafman

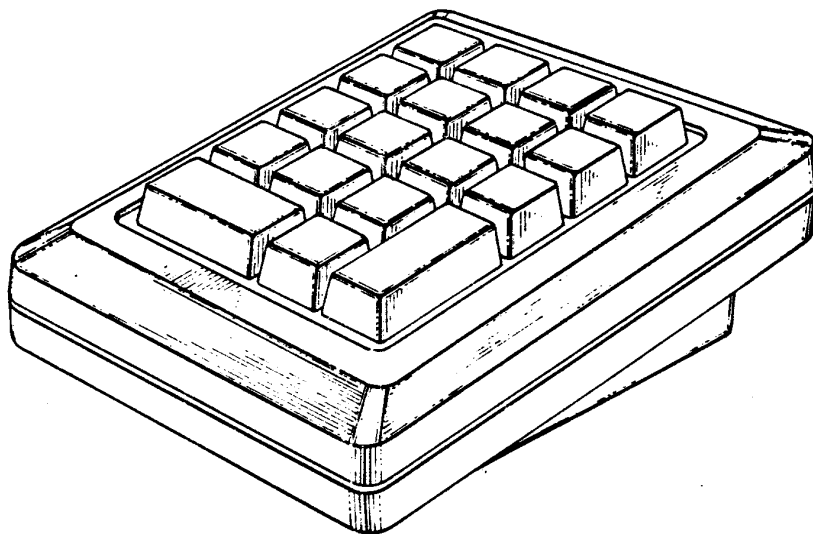
CLAIM

[57] The ornamental design for a keypad, substantially as shown.

DESCRIPTION

FIG. 1 is a perspective view of the keypad showing our new design;
FIG. 2 is a top plan view thereof;
FIG. 3 is a right side elevation view thereof;
FIG. 4 is a bottom plan elevation view thereof;
FIG. 5 is a front elevation view thereof;
FIG. 6 is a left side elevation view thereof;
FIG. 7 is a rear elevation view thereof.

- [56] **References Cited**
- U.S. PATENT DOCUMENTS**
- D. 202,554 10/1965 Meunier D14/100
- D. 237,977 12/1975 Isaacs D14/100
- 3,478,857 11/1969 Linker 235/145 R



Macintosh

U.S. Patent Oct. 7, 1986

Sheet 1 of 3 Des. 286,047

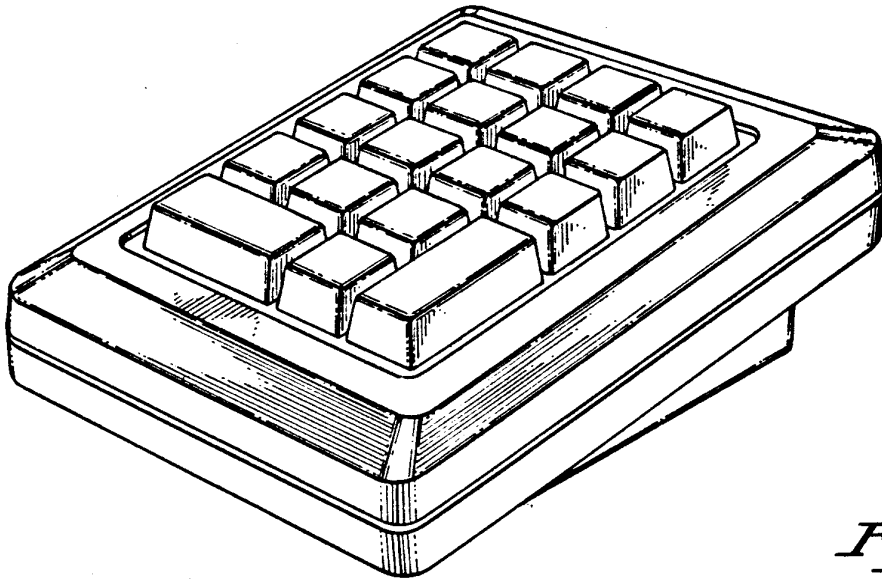


Fig. 1

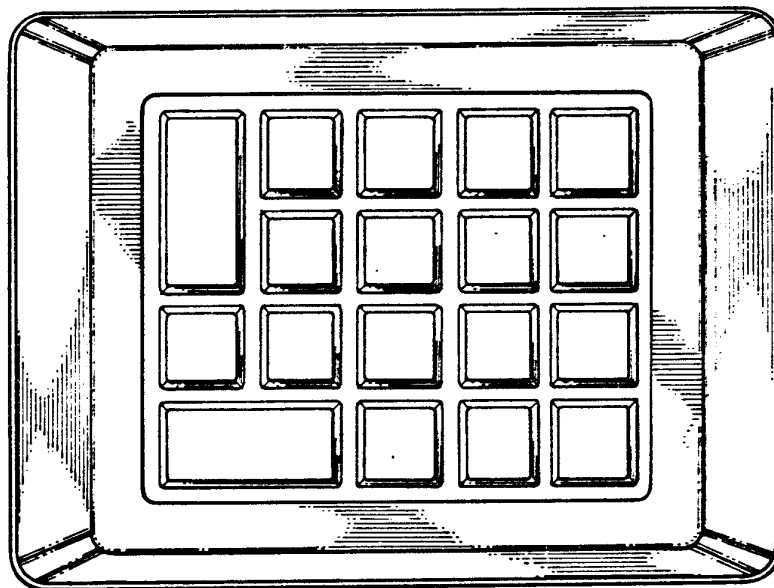


Fig. 2

U.S. Patent Oct. 7, 1986 Sheet 2 of 3 Des. 286,047

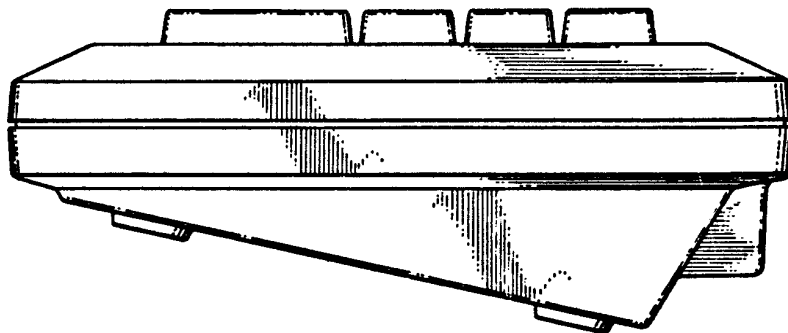


Fig. 3

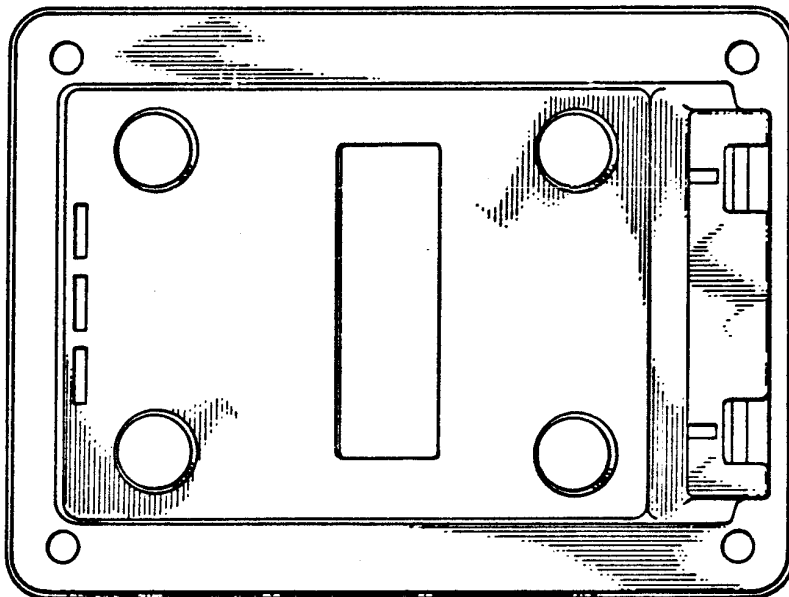


Fig. 4

U.S. Patent Oct. 7, 1986 Sheet 3 of 3 Des. 286,047

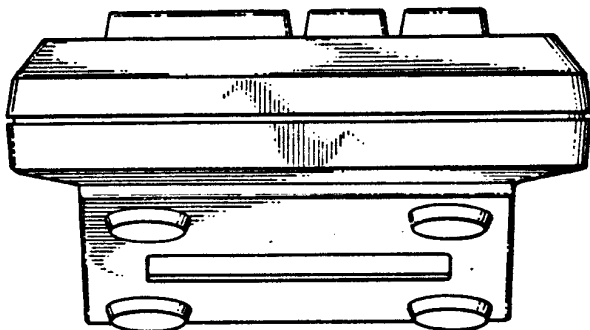


Fig. 5

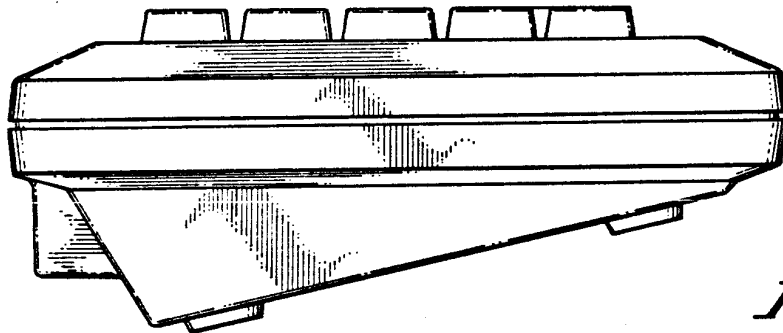


Fig. 6

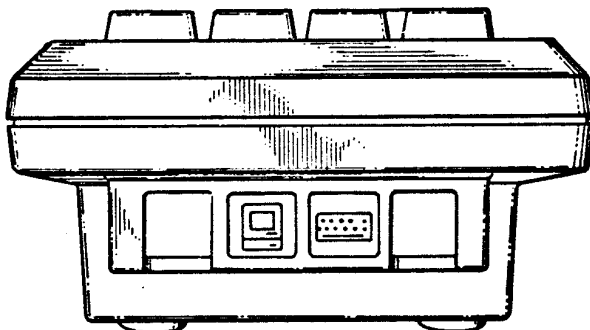


Fig. 7

United States Patent [19]
Roots et al.

[11] **Patent Number: Des. 286,050**
[45] **Date of Patent: ** Oct. 7, 1986**

[54] **DISK DRIVE HOUSING**

[75] **Inventors:** David H. Roots, Santa Cruz; Terrell A. Oyama, Los Altos; Jerrold C. Manock, Palo Alto, all of Calif.

[73] **Assignee:** Apple Computer, Inc., Cupertino, Calif.

[**] **Term:** 14 Years

[21] **Appl. No.:** 541,712

[22] **Filed:** Oct. 13, 1983

[52] **U.S. Cl. D14/109**

[58] **Field of Search 360/97, 98, 99; D14/100, 107, 109, 114, 115; D13/40, 41**

[56] **References Cited**

U.S. PATENT DOCUMENTS

- D. 263,472 3/1982 Nishi et al. D14/109
- D. 266,426 10/1982 Dresselhaus D14/109 X
- D. 271,102 10/1983 Manock et al. D14/109

OTHER PUBLICATIONS

Helios II Disk Memory System Brochure, ©1978, front cover, Disk Drive. North Star Computers, Inc. Product Catalog, 5-1980, p. 8, Hard Disk Drive.

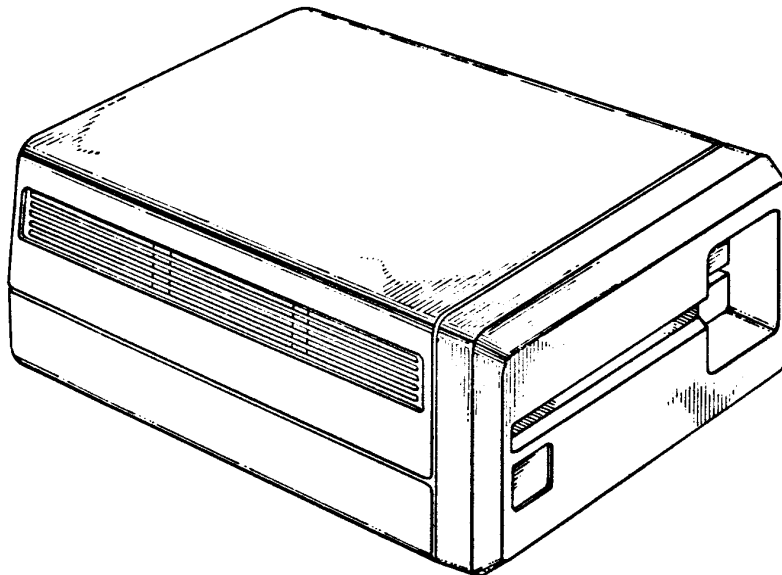
Primary Examiner—Susan J. Lucas
Attorney, Agent, or Firm—Blakely, Sokoloff, Taylor & Zafman

[57] **CLAIM**

The ornamental design for a disk drive housing, substantially as shown.

DESCRIPTION

FIG. 1 is a perspective view of the disk drive housing showing our new design;
FIG. 2 is a front elevational view thereof;
FIG. 3 is a top plan view thereof;
FIG. 4 is a right side elevational view thereof;
FIG. 5 is a rear elevational view thereof;
FIG. 6 is a bottom plan view thereof.



Macintosh

U.S. Patent **Oct. 7, 1986** **Sheet 1 of 3** **Des. 286,050**

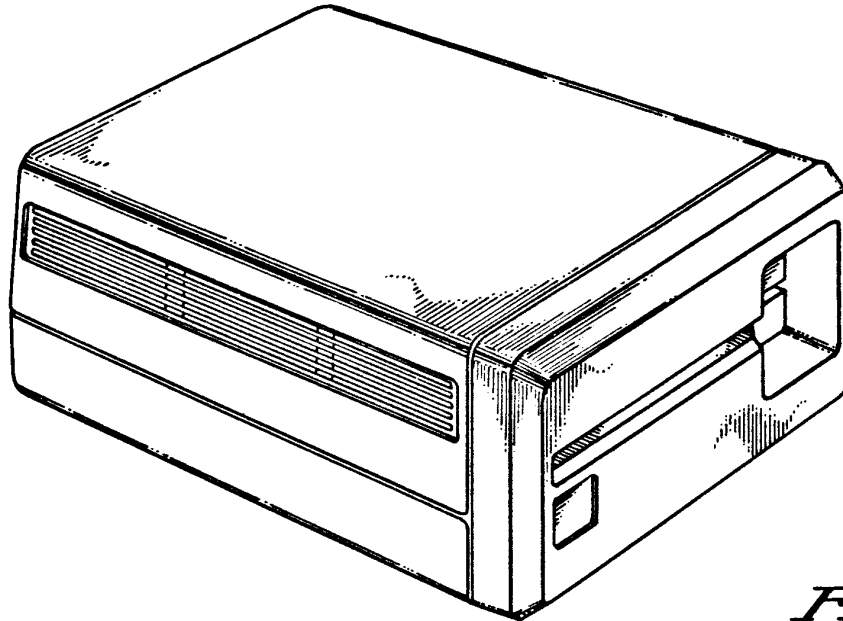


Fig. 1

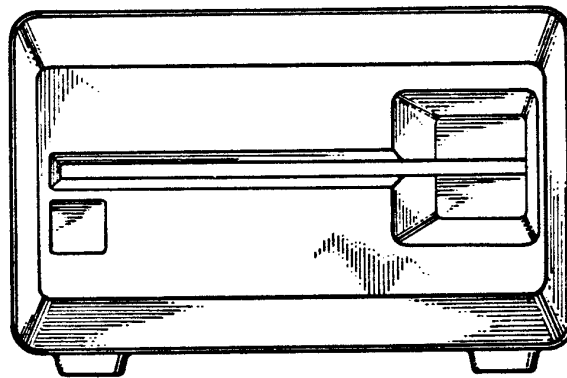


Fig. 2

Fig. 3

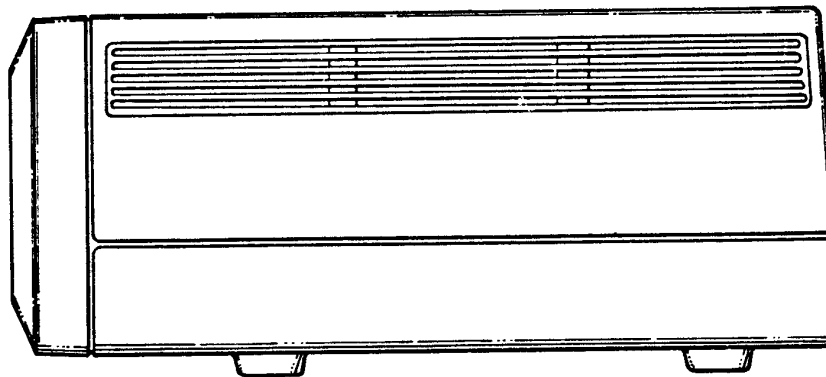
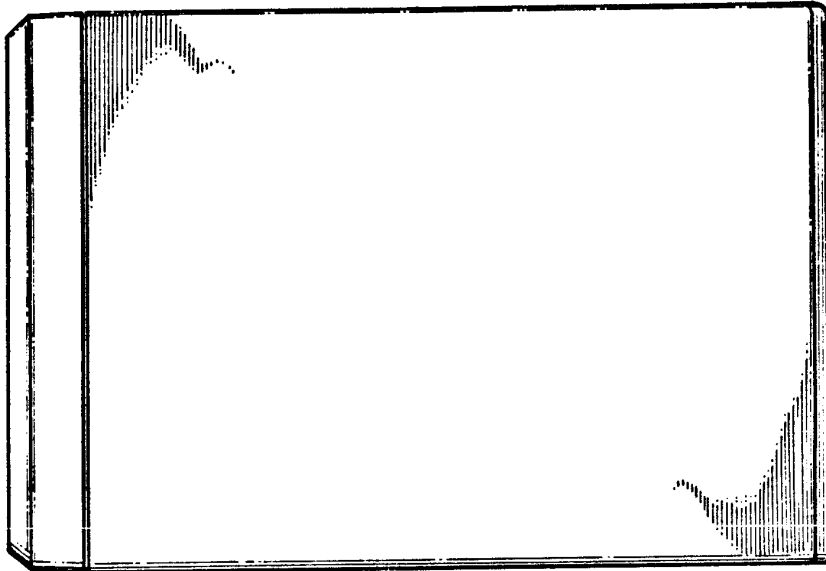


Fig. 4

U.S. Patent Oct. 7, 1986 Sheet 3 of 3 Des. 286,050

Fig. 5

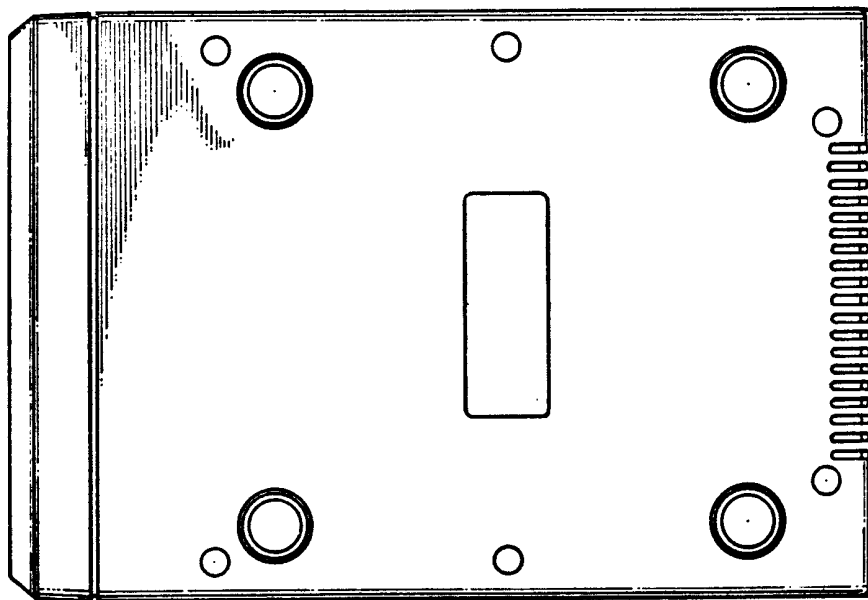
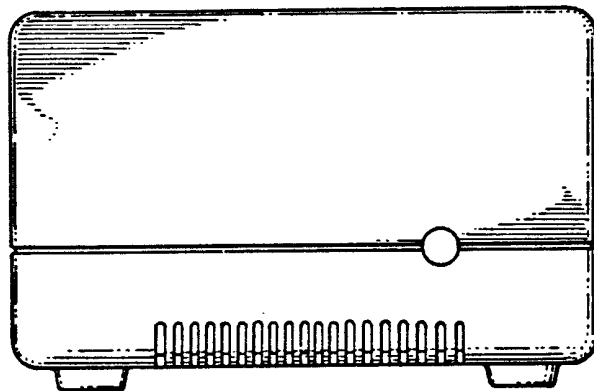


Fig. 6

United States Patent [19]
Peart et al.

[11] **Patent Number:** **Des. 286,052**
[45] **Date of Patent:** **Oct. 7, 1986**

[54] **PRINTER HOUSING**

[75] **Inventors:** Stephen Peart, Los Gatos; Mark F. Pruitt, Sunnyvale; William G. MacKenzie, San Jose, all of Calif.

[73] **Assignee:** Apple Computer, Inc., Cupertino, Calif.

[**] **Term:** 14 Years

[21] **Appl. No.:** 602,597

[22] **Filed:** Apr. 20, 1984

[52] **U.S. Cl.** D14/111

[58] **Field of Search** D14/100, 107, 111;
D18/13, 22; 400/693

[56] **References Cited**

U.S. PATENT DOCUMENTS

D. 264,083 4/1982 Grae D14/111
D. 276,725 12/1984 Izaki D14/111

OTHER PUBLICATIONS

Epson MX Series Printers Brochure ©1982, front cover, right side, Printer (Computer Box).
The Office, 9-1981, p. 224, Centronics Dot Matrix Printer (Computer Box).
Radio Shack 1983 TRS-80 Microcomputer Catalog #RSC-8, ©1982, p. 21, 15" wide Printer (Computer Box).

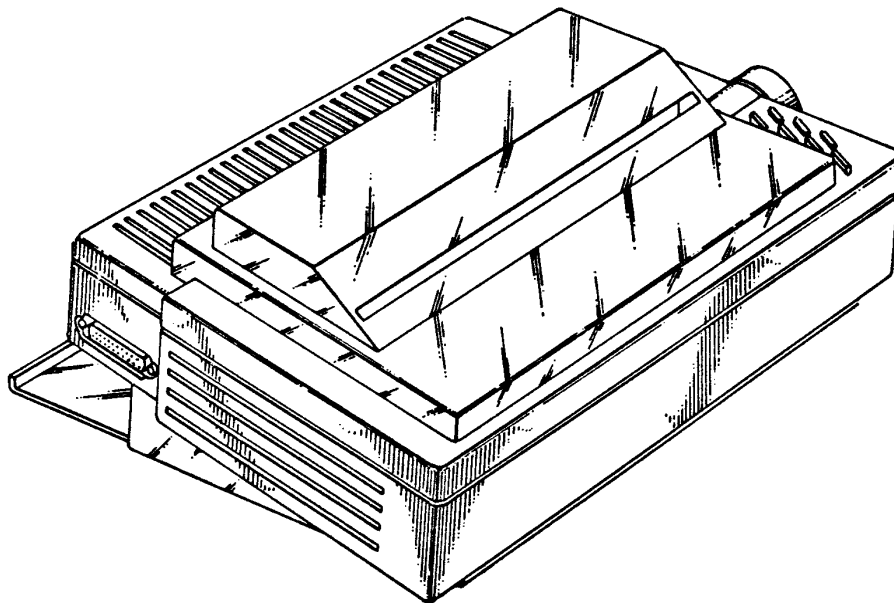
Primary Examiner—Susan J. Lucas
Attorney, Agent, or Firm—Blakely, Sokoloff, Taylor & Zafman

CLAIM

[57] The ornamental design for a printer housing, substantially as shown.

DESCRIPTION

FIG. 1 is a perspective view of a printer housing showing our new design;
FIG. 2 is a top plan view thereof;
FIG. 3 is a front elevational view thereof;
FIG. 4 is a right side elevational view thereof;
FIG. 5 is a left side elevational view thereof;
FIG. 6 is a rear elevational view thereof;
FIG. 7 is a bottom plan view thereof.



(Scribe printer)

U.S. Patent Oct. 7, 1986 Sheet 1 of 3 Des. 286,052

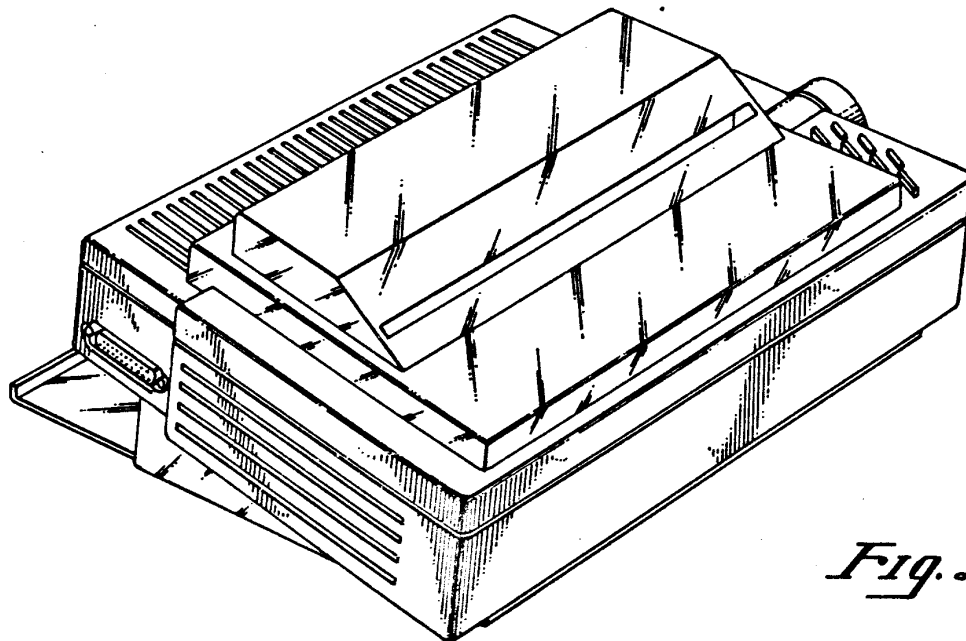


Fig. 1

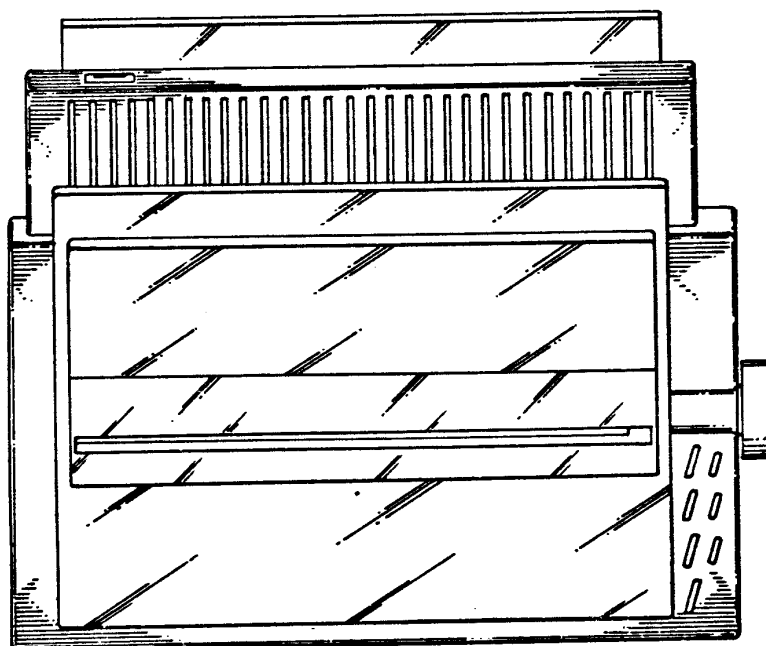


Fig. 2

U.S. Patent Oct. 7, 1986 Sheet 2 of 3 Des. 286,052

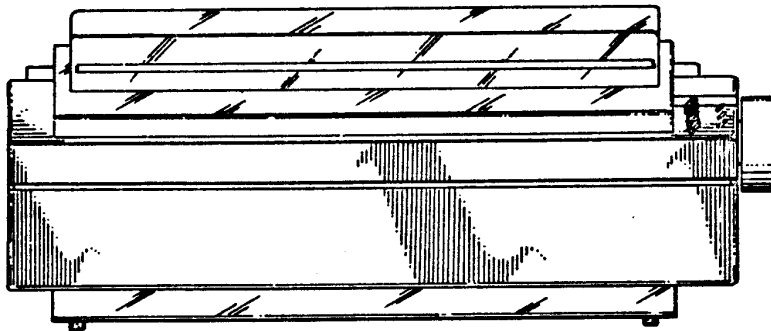


Fig. 3

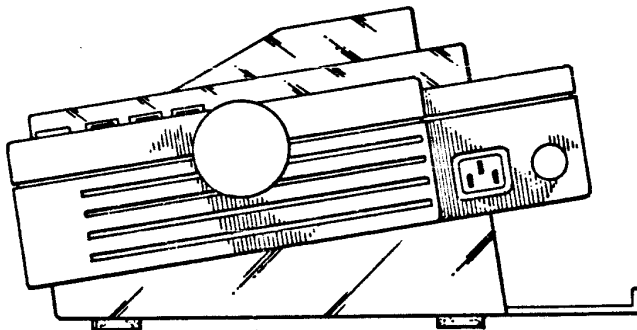


Fig. 4

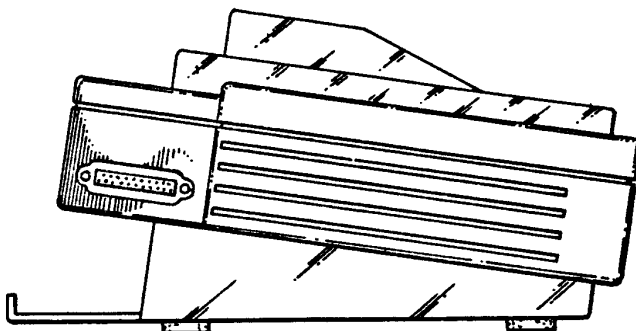


Fig. 5

U.S. Patent Oct. 7, 1986 Sheet 3 of 3 Des. 286,052

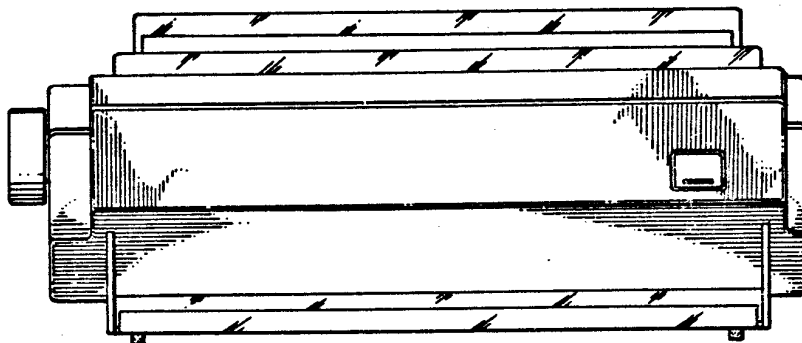


Fig. 6

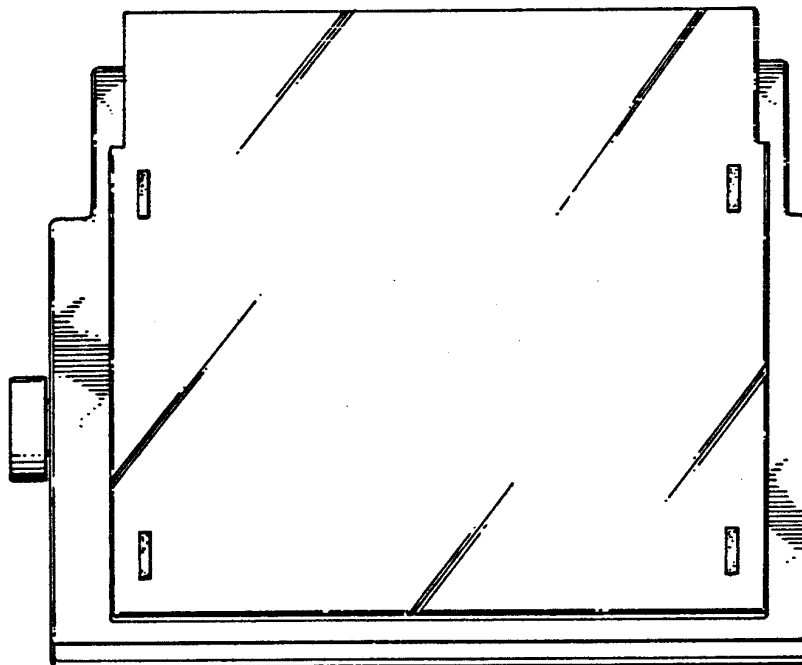


Fig. 7

United States Patent [19]

Gemmell et al.

[11] **Patent Number: Des. 287,967**

[45] **Date of Patent: ** Jan. 27, 1987**

[54] **PERSONAL COMPUTER HOUSING**

[75] **Inventors:** Rob J. Gemmell, Santa Clara; Hartmut H. Easlinger; Stephen Peart, both of Los Gatos, all of Calif.

[73] **Assignee:** Apple Computer, Inc., Cupertino, Calif.

[**] **Term:** 14 Years

[21] **Appl. No.:** 601,179

[22] **Filed:** Apr. 17, 1984

[52] **U.S. Cl.** D14/100

[58] **Field of Search** D14/100, 107, 111, 114, D14/106; 364/708; D18/1, 7

[56] **References Cited**

U.S. PATENT DOCUMENTS

- D. 271,101 10/1983 Grae D14/100
- D. 272,249 1/1984 Dickenson D14/100

OTHER PUBLICATIONS

Apple Computer "Professionally Speaking" publication, vol. 2, #1, p. 15, Apple IIe Computer.

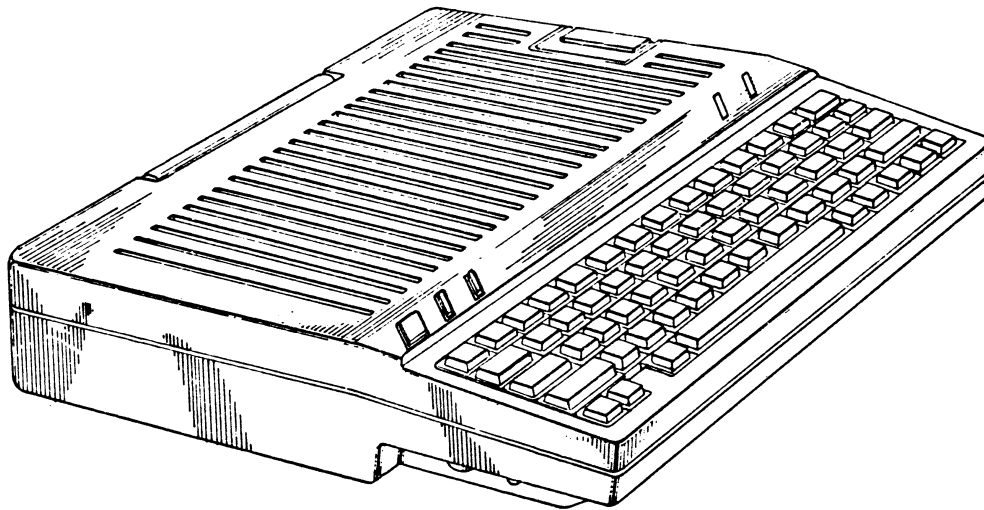
Primary Examiner—Susan J. Lucas
Attorney, Agent, or Firm—Blakely, Sokoloff, Taylor & Zafman

[57] **CLAIM**

The ornamental design for a personal computer housing, substantially as shown.

DESCRIPTION

FIG. 1 is a top front perspective view of the personal computer housing showing our new design; FIG. 2 is a top plan view thereof; FIG. 3 is a front elevational view thereof; FIG. 4 is a right side elevational view thereof; FIG. 5 is a left side elevational view thereof; FIG. 6 is a rear elevational view thereof; and FIG. 7 is a bottom plan view thereof.



Apple IIc

U.S. Patent Jan. 27, 1987 Sheet 1 of 3 Des. 287,967

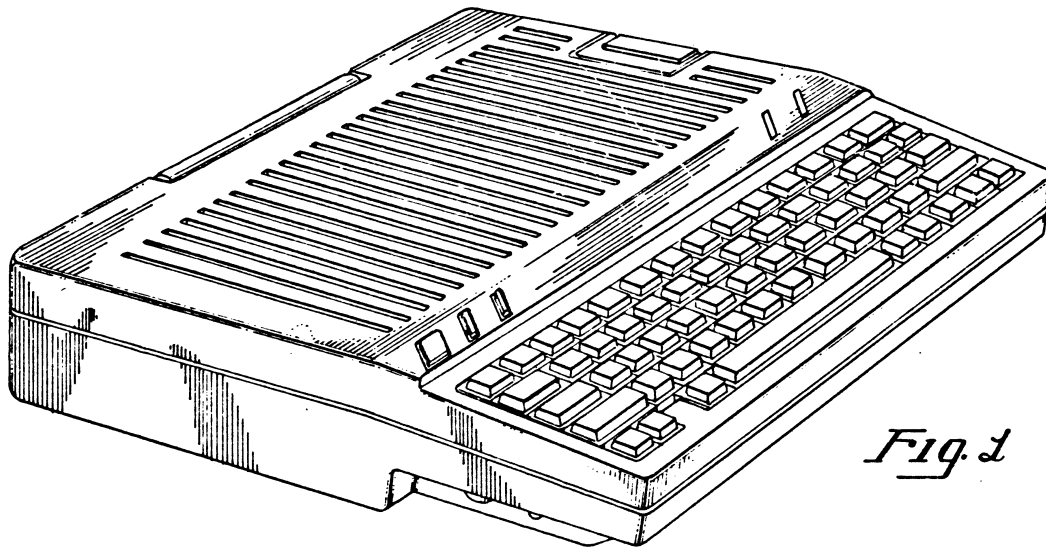


Fig. 1

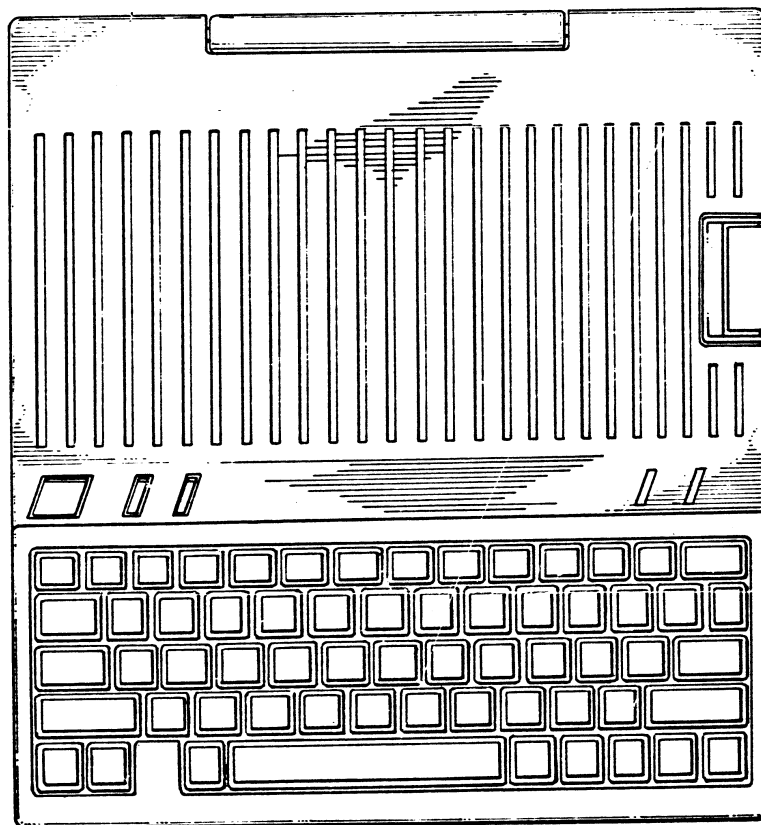


Fig. 2

Fig. 3

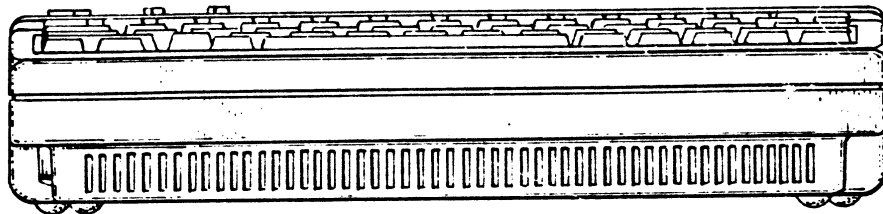


Fig. 4

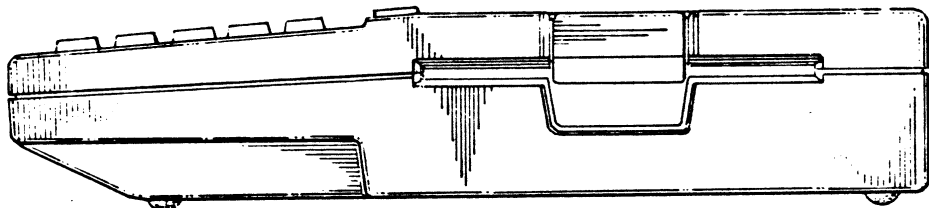
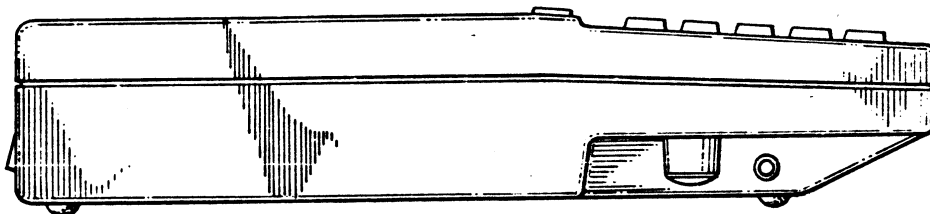


Fig. 5



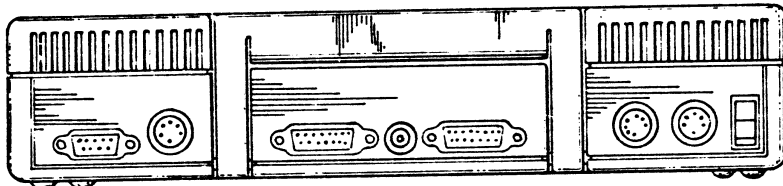
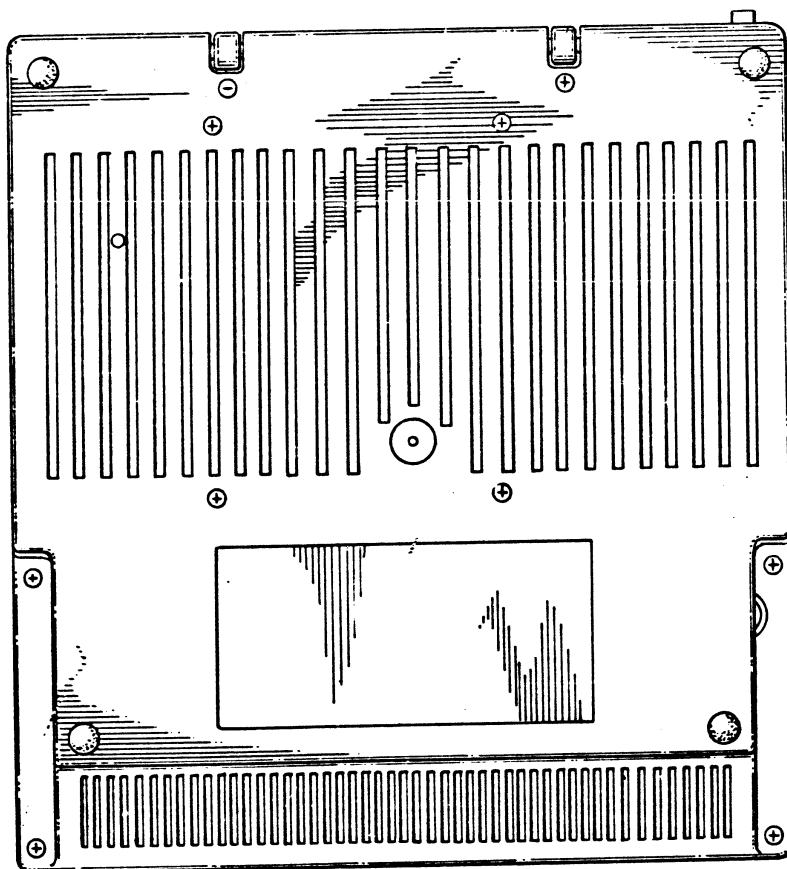


Fig. 6

Fig. 7



United States Patent [19]
Gemmell

[11] **Patent Number: Des. 288,434**
[45] **Date of Patent: ** Feb. 24, 1987**

[54] **HOUSING FOR ELECTRICAL CIRCUIT WHICH PROVIDES AN INTERFACE BETWEEN A COMPUTER AND A TELEVISION SET, OR THE LIKE**

3,048,747 8/1962 Errichiello 361/394
3,054,024 9/1962 Dillen et al. 174/52 R
3,346,775 10/1967 Christiansen 361/392
3,351,817 11/1967 Wadolny et al. 361/393
3,437,883 4/1969 Smith 361/394

[75] **Inventor: Rob J. Gemmell, Santa Clara, Calif.**

Primary Examiner—Wallace R. Burke
Assistant Examiner—Ruth E. Takemoto
Attorney, Agent, or Firm—Blakely, Sokoloff, Taylor & Zafman

[73] **Assignee: Apple Computer, Inc., Cupertino, Calif.**

[**] **Term: 14 Years**

[57] **CLAIM**

[21] **Appl. No.: 602,652**

The ornamental design for a housing for electrical circuit which provides an interface between a computer and a television set, or the like, substantially as shown.

[22] **Filed: Apr. 20, 1984**

[52] **U.S. Cl. D13/11**

[58] **Field of Search D13/11-13, D13/40-41, 35, 99; D14/114; D10/46, 49, 75, 80, 96, 100-101, 103; 174/50, 52 R, 65 R; 219/10.55 R, 10.55 B, 10.75; 361/189-190, 392-394, 333-334, 347, 356-357; 332/16 R, 10, 17, 22; 220/4 R, 4 A, 76; 429/151-154, 163, 178**

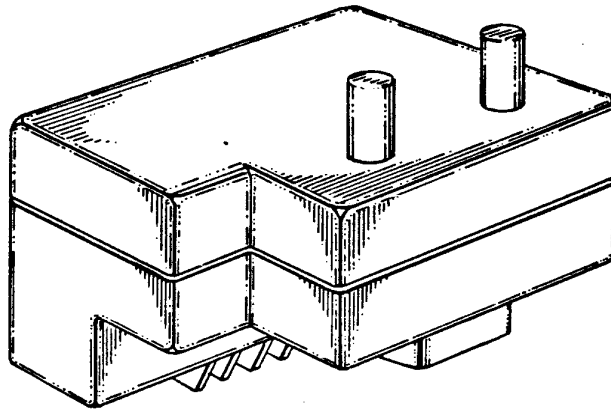
DESCRIPTION

FIG. 1 is a perspective view of an electrical circuit which provides an interface between a computer and a television set, or the like;
FIG. 2 is a top plan view thereof;
FIG. 3 is a front elevational view thereof;
FIG. 4 is a left side elevational view thereof;
FIG. 5 is a right side elevational view thereof;
FIG. 6 is a rear elevational view thereof; and
FIG. 7 is a bottom plan view thereof.

[56] **References Cited**

U.S. PATENT DOCUMENTS

3,002,044 9/1961 Scoville 174/52 R



Apple 2c

U.S. Patent Feb. 24, 1987 Sheet 1 of 2 Des. 288,434

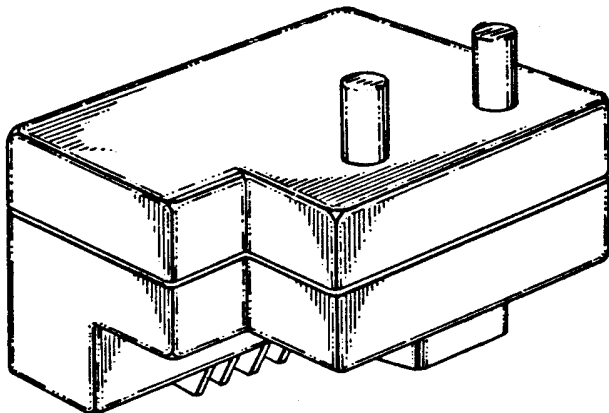


Fig. 1

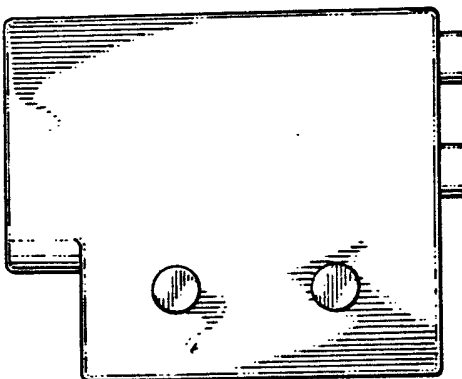


Fig. 2

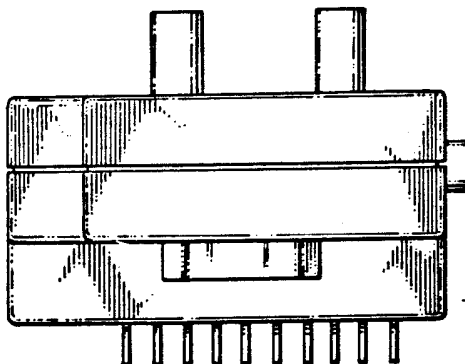


Fig. 3

U.S. Patent Feb. 24, 1987 Sheet 2 of 2 Des. 288,434

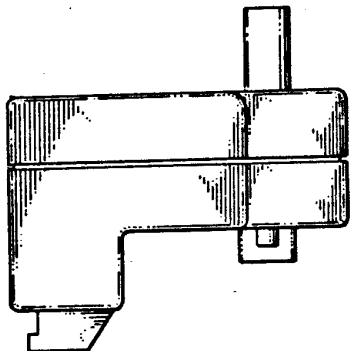


Fig. 4

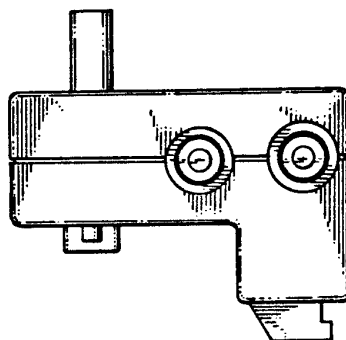


Fig. 5

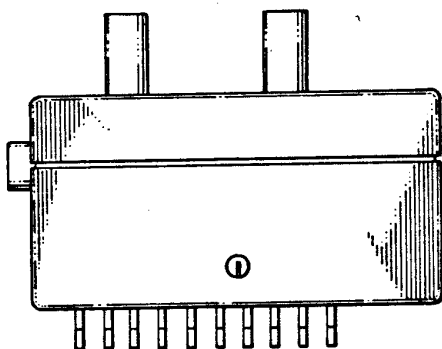


Fig. 6

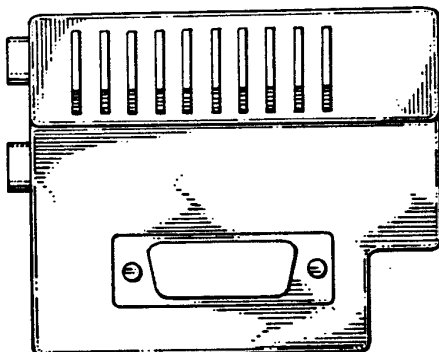


Fig. 7

United States Patent [19]
Gemmell

[11] **Patent Number: Des. 288,555**
[45] **Date of Patent: ** Mar. 3, 1987**

[54] **SWITCH BODY**

[75] **Inventor: Rob J. Gemmell, Santa Clara, Calif.**

[73] **Assignee: Apple Computer, Inc., Cupertino, Calif.**

[**] **Term: 14 Years**

[21] **Appl. No.: 602,651**

[22] **Filed: Apr. 20, 1984**

[52] **U.S. Cl. D13/32**

[58] **Field of Search D13/11-13, D13/34-35, 38, 40-41, 99; D14/114; D10/46, 49, 75, 80, 96, 100-101, 103; 174/50, 52 R, 65 R; 219/10.55 R, 10.55 B, 10.75; 361/189-190, 392-394, 334, 333, 347, 356-357; 332/16 R, 17, 10, 22; 220/4 A, 4 R, 76; 200/298**

[56] **References Cited**

U.S. PATENT DOCUMENTS

D. 121,962 8/1940 Meur D13/38

D. 122,293 9/1940 Guild D13/38
D. 123,716 11/1940 Heisinger D13/34
D. 134,996 2/1943 Kaminky D13/38
D. 239,628 4/1976 Nicol D13/34

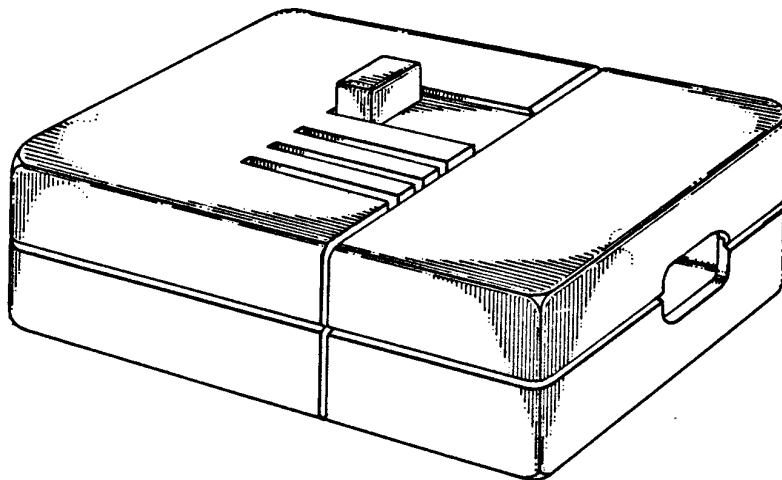
Primary Examiner—James M. Gandy
Assistant Examiner—Ruth E. Takemoto
Attorney, Agent, or Firm—Blakely, Sokoloff, Taylor & Zafman

[57] **CLAIM**

The ornamental design for a switch box, substantially as shown.

DESCRIPTION

FIG. 1 is a perspective view of a switch box showing my new design;
FIG. 2 is a top plan view thereof;
FIG. 3 is a left side elevational view thereof;
FIG. 4 is a rear elevational view thereof;
FIG. 5 is a front elevational view thereof;
FIG. 6 is a right side elevational view thereof; and
FIG. 7 is a bottom plan view thereof.



Apple 2c

U.S. Patent Mar. 3, 1987 Sheet 1 of 2 Des. 288,555

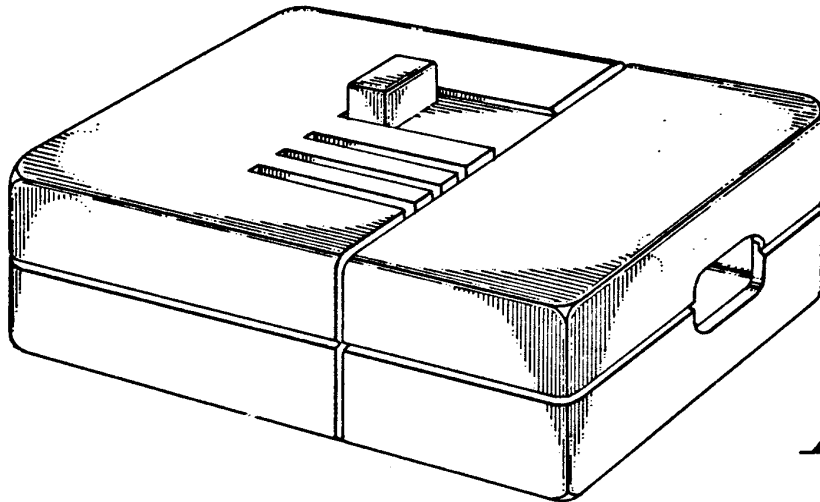


Fig. 1

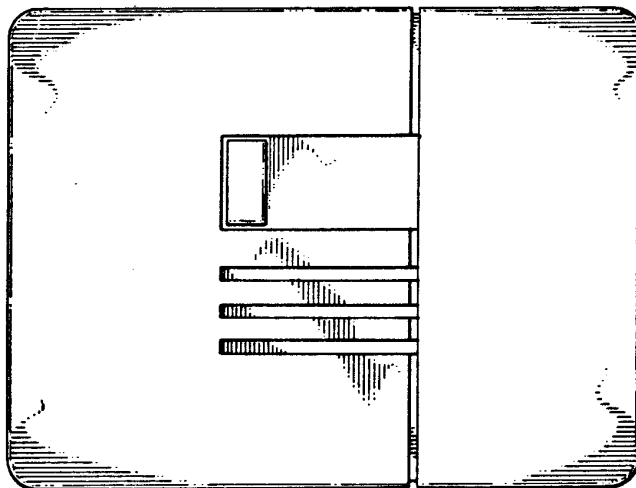


Fig. 2

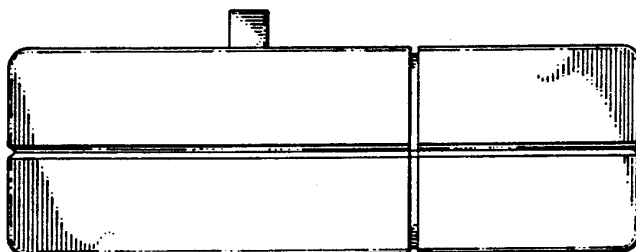


Fig. 3

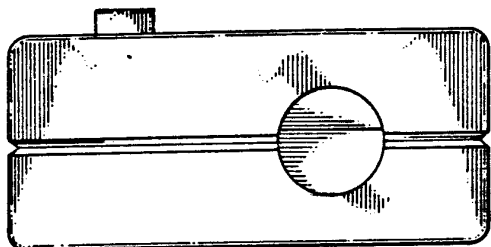


Fig. 4

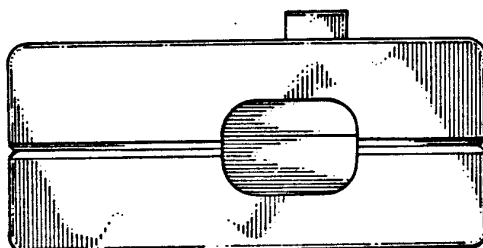


Fig. 5

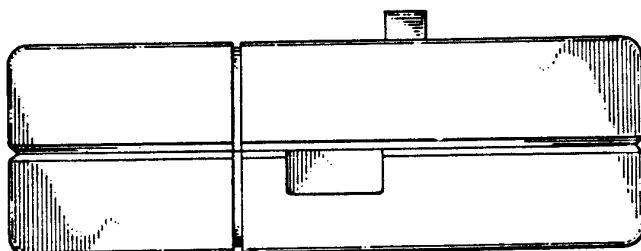


Fig. 6

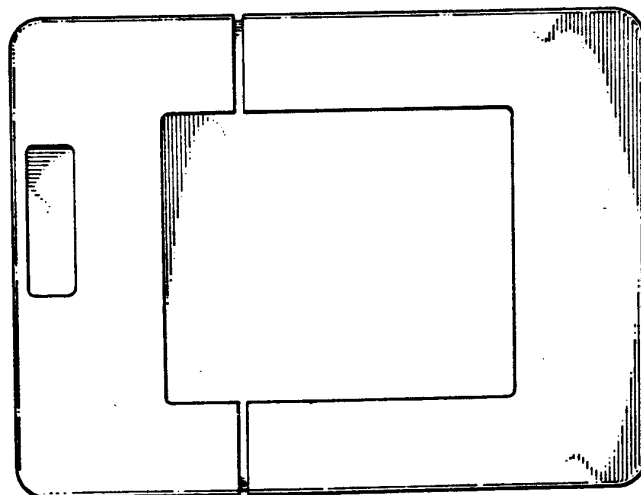


Fig. 7

United States Patent [19]

[11] **Patent Number: Des. 288,800**

Gemmell

[45] **Date of Patent: ** Mar. 17, 1987**

[54] **POWER SUPPLY HOUSING**
[75] **Inventor: Rob J. Gemmell, Santa Clara, Calif.**
[73] **Assignee: Apple Computer, Inc., Cupertino, Calif.**

D. 231,540 4/1974 Muller et al. D13/11
2,880,262 3/1959 Bell et al. 174/50
4,120,545 10/1978 Happak et al. 174/50

FOREIGN PATENT DOCUMENTS

2414329 10/1975 Fed. Rep. of Germany 320/2

[**] **Term: 14 Years**

Primary Examiner—James M. Gandy
Assistant Examiner—Ruth E. Takemoto
Attorney, Agent, or Firm—Blakely, Sokoloff, Taylor & Zafman

[21] **Appl. No.: 602,465**

[22] **Filed: Apr. 20, 1984**

[52] **U.S. Cl. D13/11**

[58] **Field of Search D13/11-13, D13/35, 40-41, 99; D14/114; D10/46, 49, 75, 80, 96, 100-101, 103; 174/50, 65 R; 219/10.55 R, 10.55 B, 10.75; 361/189-190, 392-394, 333-334, 347, 356-357; 332/16 R, 17, 22, 10; 220/4 A, 4 R, 76; 429/151-154, 163, 178**

CLAIM

[57] The ornamental design for a power supply housing, substantially as shown.

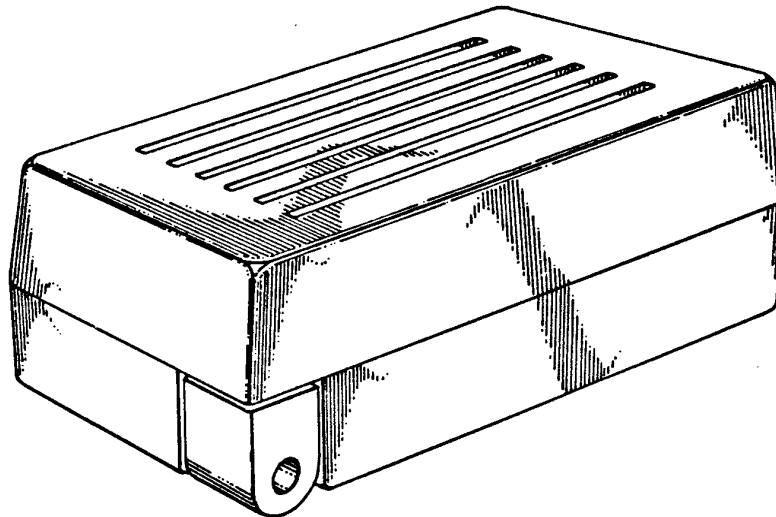
DESCRIPTION

FIG. 1 is a perspective view of a power supply housing showing my new design;
FIG. 2 is a top plan view thereof;
FIG. 3 is a front elevational view thereof;
FIG. 4 is a left side elevational view thereof;
FIG. 5 is a right side elevational view thereof;
FIG. 6 is a rear elevational view thereof; and
FIG. 7 is a bottom plan view thereof.

[56] **References Cited**

U.S. PATENT DOCUMENTS

D. 186,981 1/1960 Hughes D14/100
D. 205,845 9/1966 Parriott et al. D13/32
D. 220,696 5/1971 Lazzo D13/32
D. 229,195 11/1973 Goodale et al. D13/11



Apple 2c

U.S. Patent Mar. 17, 1987 Sheet 1 of 2 Des. 288,800

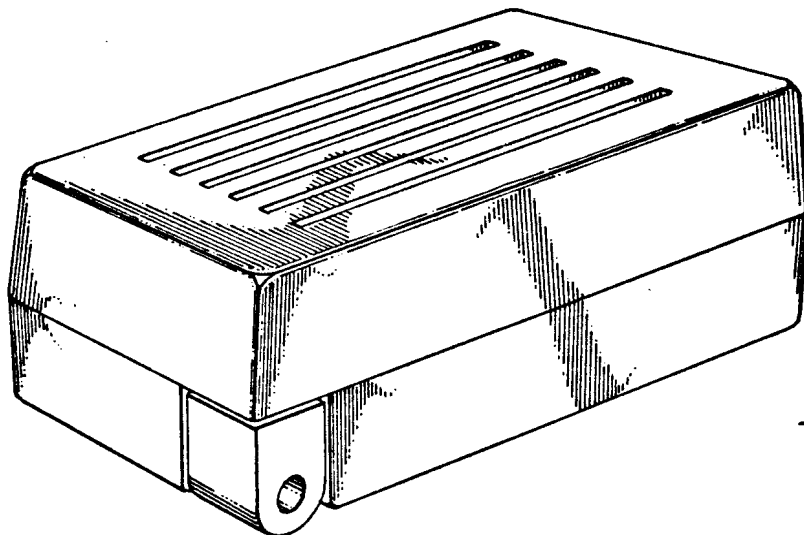


Fig. 1

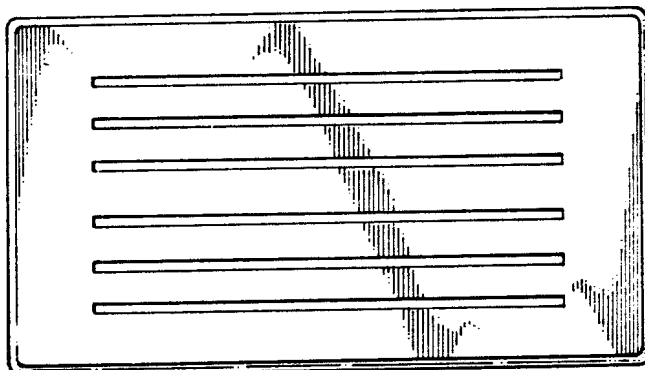


Fig. 2

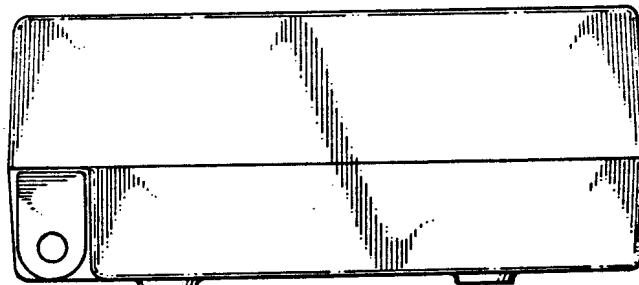


Fig. 3

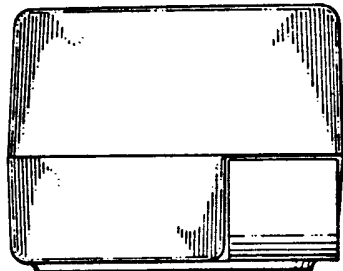


Fig. 4

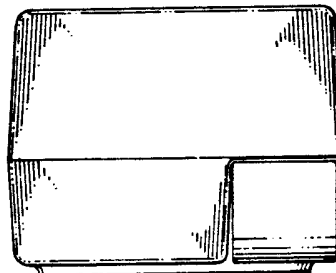
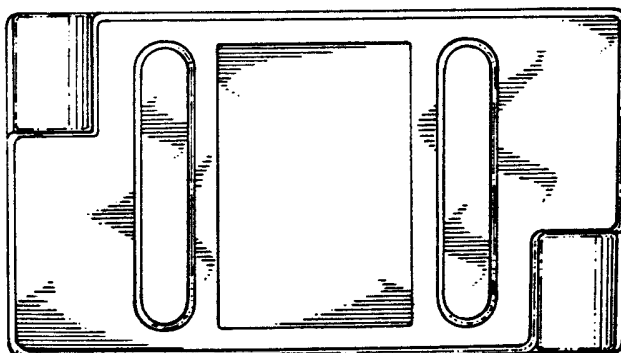


Fig. 5

Fig. 6



Fig. 7



United States Patent [19]
Gemmell et al.

[11] **Patent Number: Des. 289,873**
[45] **Date of Patent: ** May 19, 1987**

[54] **FLAT PANEL DISPLAY FOR PERSONAL COMPUTER**

[75] Inventors: **Rob J. Gemmell**, Santa Clara;
Stephen Peart, Los Gatos, both of Calif.

[73] Assignee: **Apple Computer, Inc.**, Cupertino, Calif.

[**] Term: **14 Years**

[21] Appl. No.: **602,656**

[22] Filed: **Apr. 20, 1984**

[52] U.S. Cl. **D14/113**

[58] Field of Search D14/100, 106, 113, 107,
D14/114, 77, 81, 82, 83; D18/1, 7, 12; 340/365
R, 700, 711; 358/254, 248, 249; 312/7.2

[56] **References Cited**

U.S. PATENT DOCUMENTS

D. 266,762	11/1982	Gibson	D14/113
D. 274,728	7/1984	Shibata	D14/113
4,438,458	3/1984	Münscher	D14/113 X
4,528,597	7/1985	Klein et al.	358/254

OTHER PUBLICATIONS

IBM Technical Disclosure Bulletin, vol. 23, No. 6, 11-1980, p. 2339, Schaum Variable Tilt Gas Panel.
IBM ® Technical Disclosure Bulletin, vol. 24, No. 7B, 12-1981, p. 3981, Wang, CRT Mounting for Typewriter.

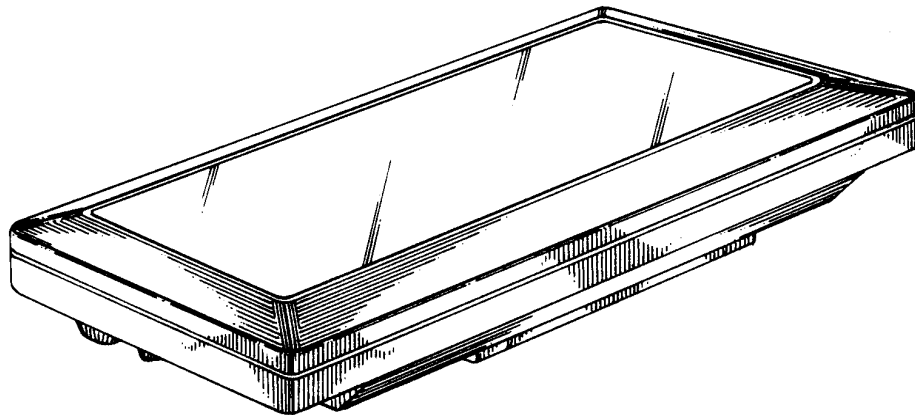
Primary Examiner—Susan J. Lucas
Attorney, Agent, or Firm—Blakely, Sokoloff, Taylor & Zafman

[57] **CLAIM**

The ornamental design for a flat panel display for personal computer, substantially as shown.

DESCRIPTION

FIG. 1 is a top, front perspective view of the flat panel display for personal computers showing our new design;
FIG. 2 is a top plan view thereof;
FIG. 3 is a front elevation view thereof;
FIG. 4 is a left side elevational view thereof;
FIG. 5 is a right side elevational view thereof;
FIG. 6 is a rear elevation view thereof;
FIG. 7 is a bottom plan view thereof.



Apple 2c

U.S. Patent May 19, 1987 Sheet 1 of 2 Des. 289,873

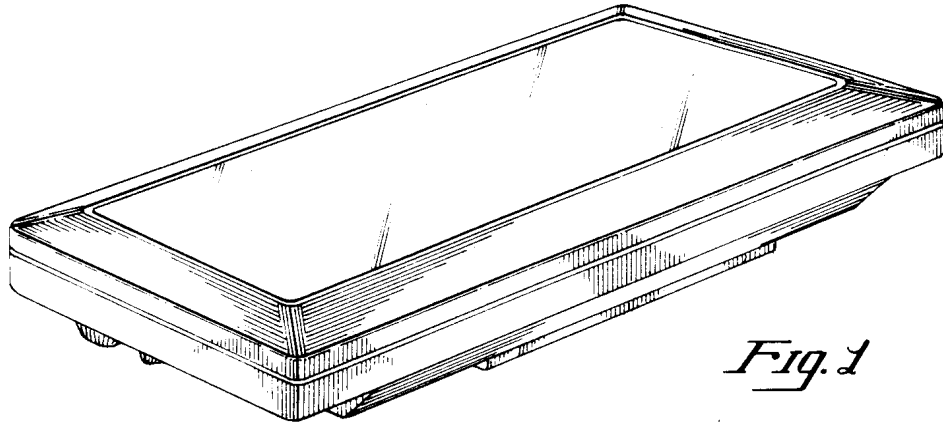


Fig. 1

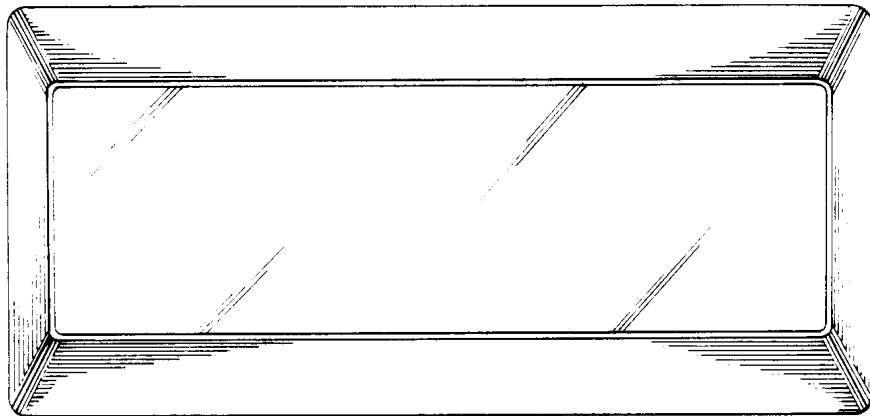


Fig. 2

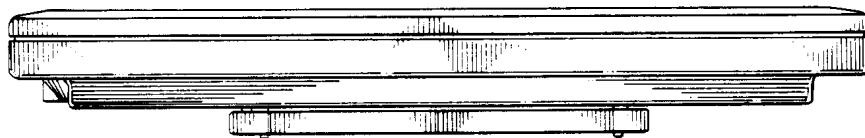


Fig. 3

U.S. Patent May 19, 1987 Sheet 2 of 2 Des. 289,873



Fig. 4

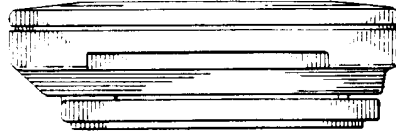


Fig. 5



Fig. 6

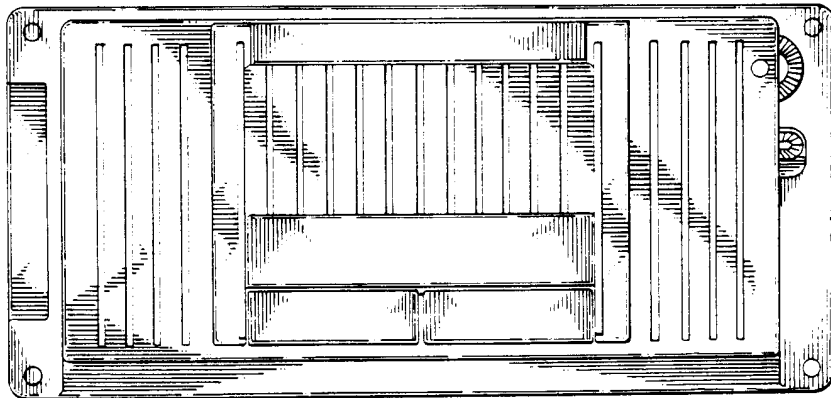


Fig. 7

United States Patent [19]

Manock et al.

[11] **Patent Number: Des. 290,257**

[45] **Date of Patent: ** Jun. 9, 1987**

[54] **DISK DRIVE CASE**

[75] **Inventors:** Jerrold C. Manock, Palo Alto; Terrell A. Oyama, Los Altos; David H. Roots, Santa Cruz, all of Calif.

[73] **Assignee:** Apple Computer, Inc., Cupertino, Calif.

[**] **Term:** 14 Years

[21] **Appl. No.:** 613,450

[22] **Filed:** May 24, 1984

[52] **U.S. Cl. D14/109**

[58] **Field of Search D14/100, 106, 107, 109, D14/113, 114; 360/97, 98, 99**

[56] **References Cited**

U.S. PATENT DOCUMENTS

- D. 264,970 6/1982 Giannotti, Jr. D14/109
- D. 266,426 10/1982 Dresselhaus D14/109 X
- D. 271,102 10/1983 Manock et al. D14/109

OTHER PUBLICATIONS

Apple III Personal Computer System Brochure, 5/1982, p. 3, Floppy Disk Drive.
Computer Design, 3-1983, p. 43, Cipher Cartridge Tape Drive.

Helios II Disk Memory System Brochure, ©1978, front cover, Disk Drive Housing.

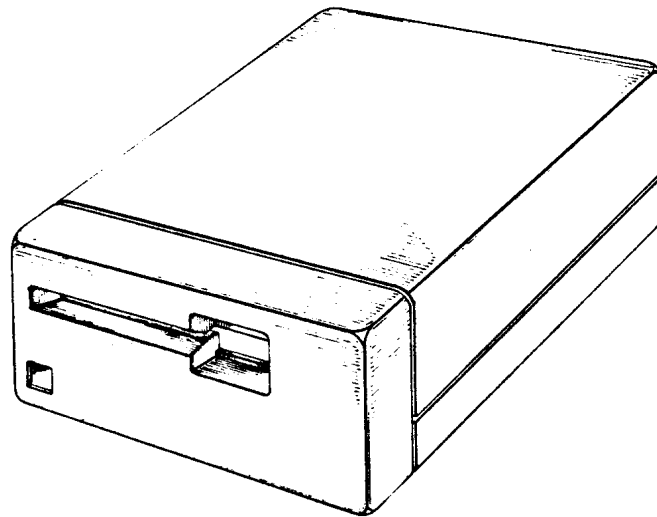
Primary Examiner—Susan J. Lucas
Attorney, Agent, or Firm—Blakely, Sokoloff, Taylor & Zafman

[57] **CLAIM**

The ornamental design for a disk drive case, substantially as shown.

DESCRIPTION

FIG. 1 is a top, right side, front perspective view of the disk drive case showing our new design;
FIG. 2 is a front elevation view thereof;
FIG. 3 is a top plan view thereof;
FIG. 4 is a left side elevation view thereof;
FIG. 5 is a rear elevation view thereof;
FIG. 6 is a right side elevation view thereof;
FIG. 7 is a bottom plan view thereof.



Macintosh

U.S. Patent Jun. 9, 1987

Sheet 1 of 4 Des. 290,257

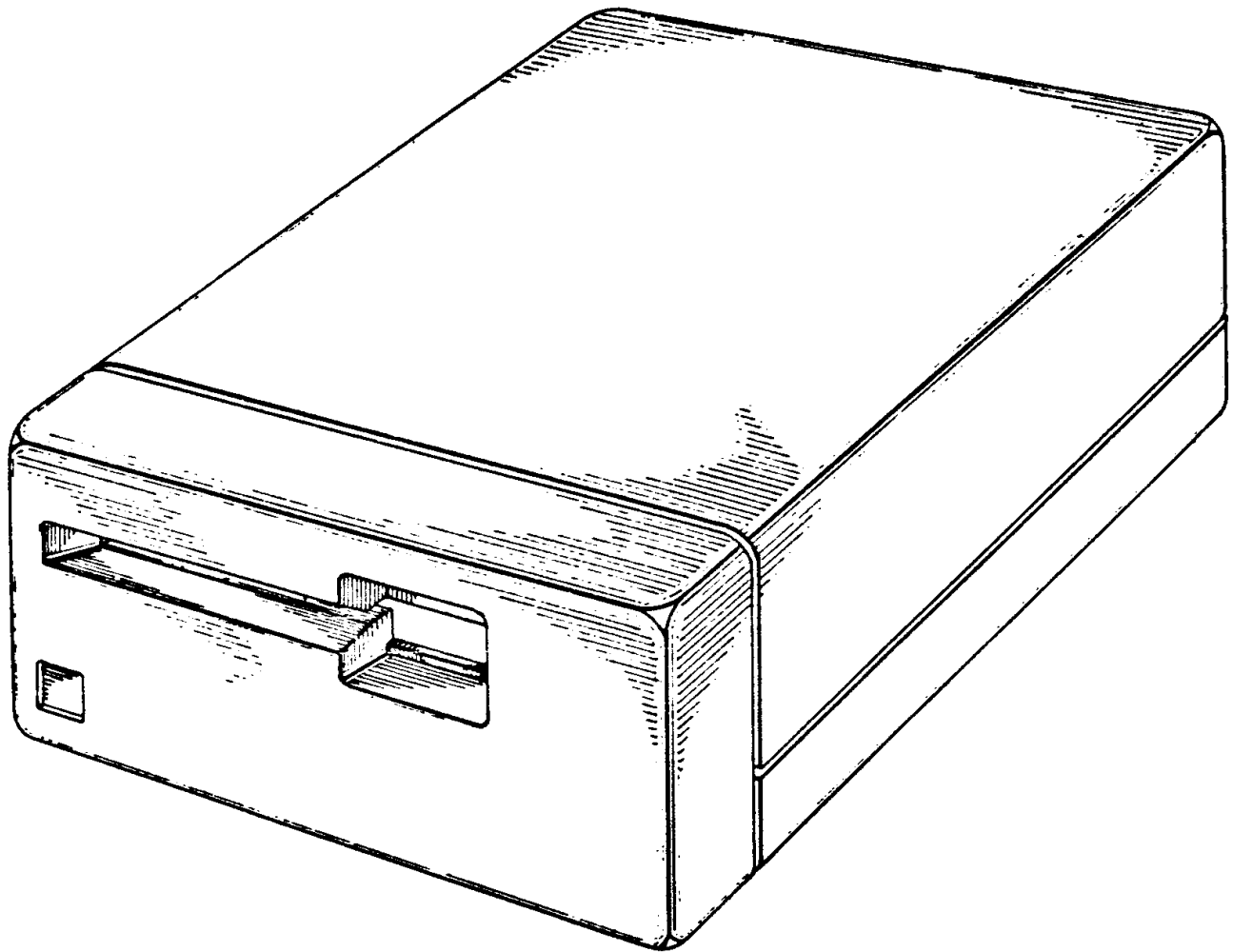


Fig. 1

U.S. Patent Jun. 9, 1987 Sheet 2 of 4 Des. 290,257

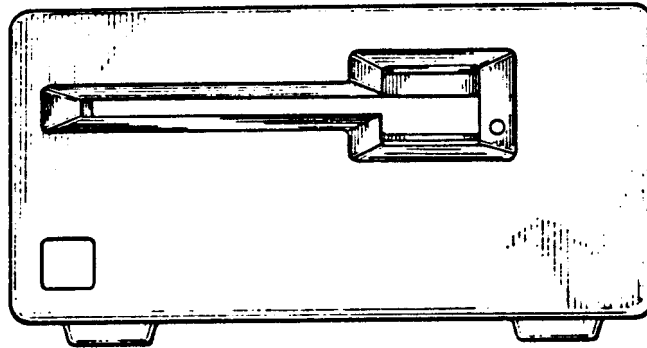


Fig. 2

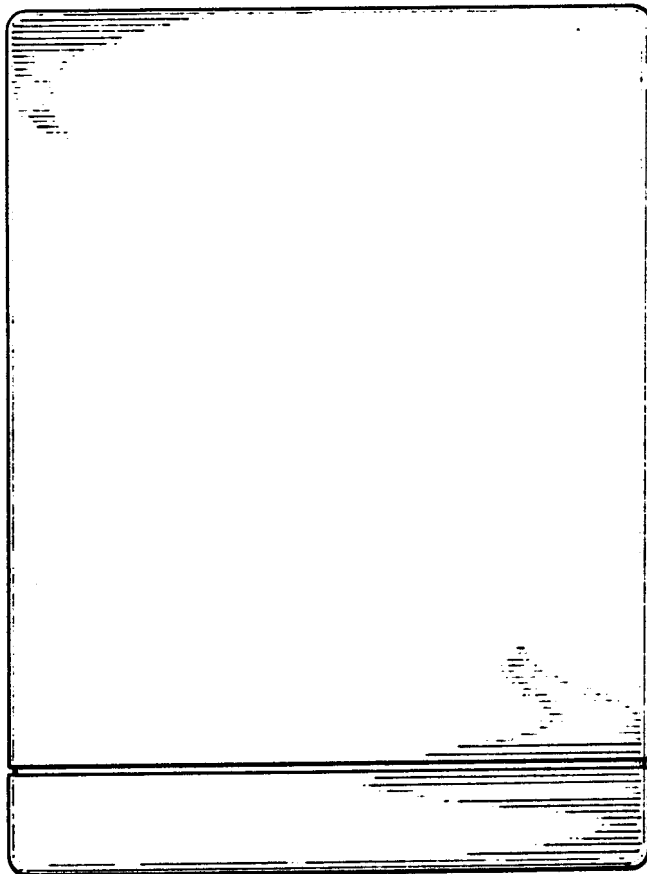


Fig. 3

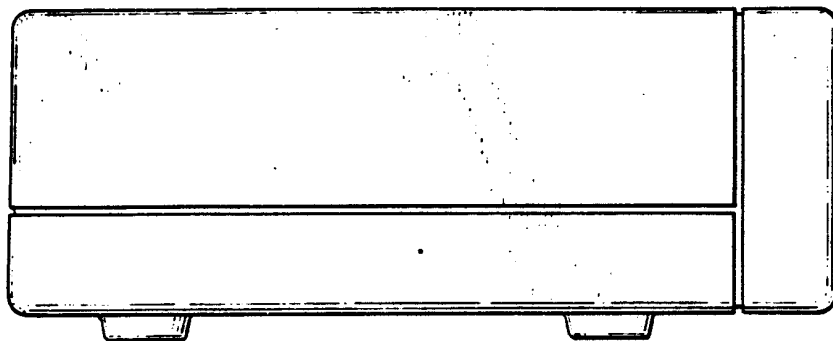


Fig. 4

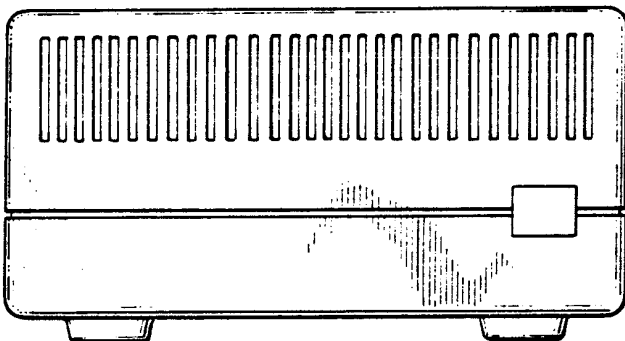


Fig. 5

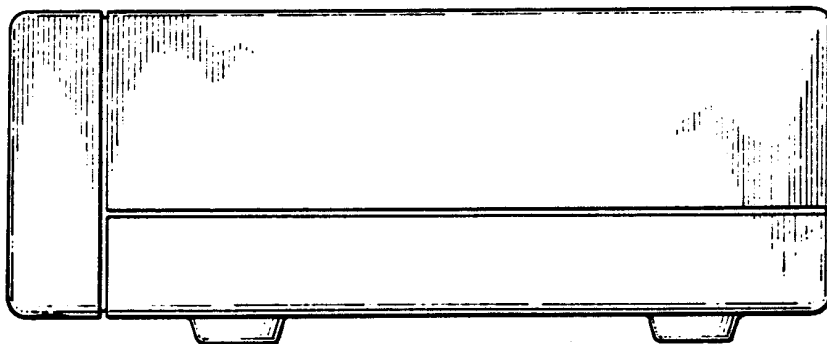


Fig. 6

U.S. Patent

Jun. 9, 1987

Sheet 4 of 4

Des. 290,257

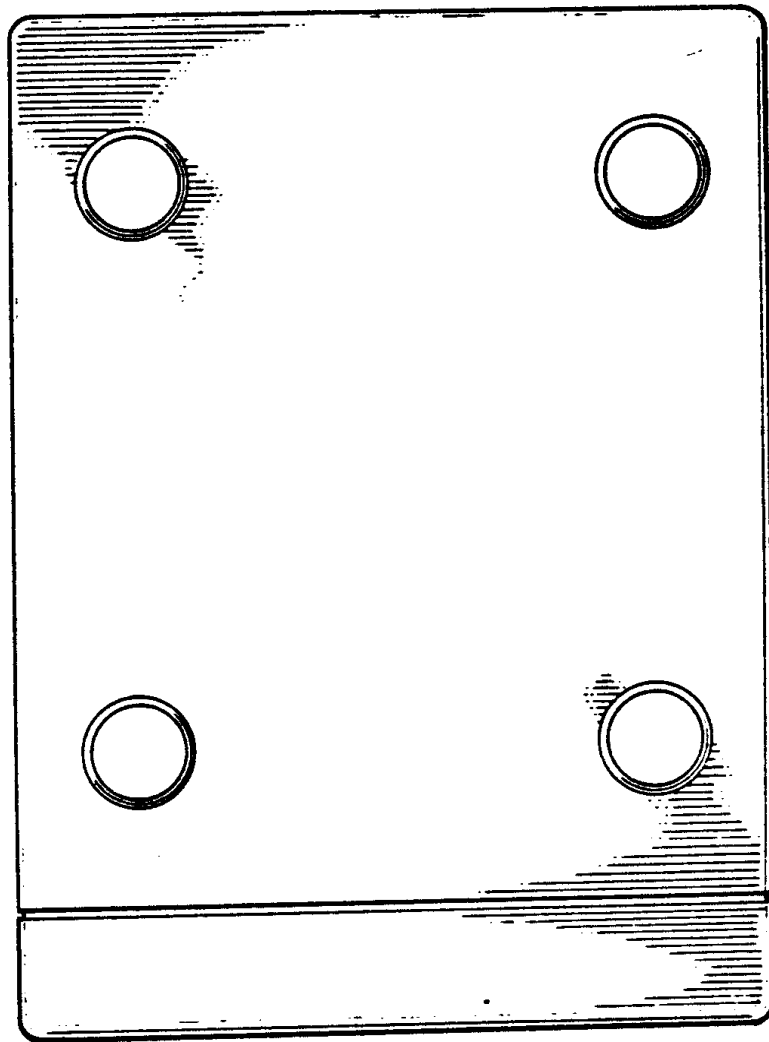


Fig. 7

United States Patent [19]
Peart et al.

[11] **Patent Number:** **Des. 290,706**
[45] **Date of Patent:** **** Jul. 7, 1987**

[54] **MONITOR STAND**

[75] **Inventors:** **Stephen Peart**, Los Gatos; **Man Van-Dinh**, Campbell, both of Calif.

[73] **Assignee:** **Apple Computer, Inc.**, Cupertino, Calif.

[**] **Term:** **14 Years**

[21] **Appl. No.:** **602,655**

[22] **Filed:** **Apr. 20, 1984**

[52] **U.S. Cl.** **D14/114; D6/406**

[58] **Field of Search** **D14/100, 101, 106, 107, D14/113, 114; D18/1, 7, 12; 340/700, 711; 358/254, 248, 249; 248/125, 133, 371, 181, 183, 178, 179**

[56] **References Cited**

U.S. PATENT DOCUMENTS

D. 277,569	2/1985	Georgopoulos	D14/106 X
D. 277,962	5/1985	Thom	D14/106
D. 279,189	6/1985	Tsumura et al.	D14/113
1,348,569	8/1920	Knights	248/371
4,395,010	7/1983	Helgeland et al.	248/183 X

FOREIGN PATENT DOCUMENTS

2348103 3/1975 Fed. Rep. of Germany 248/371

OTHER PUBLICATIONS

Racal-Milgo Data Communication Products Catalog, 5-1978, p. 17, Display Support.

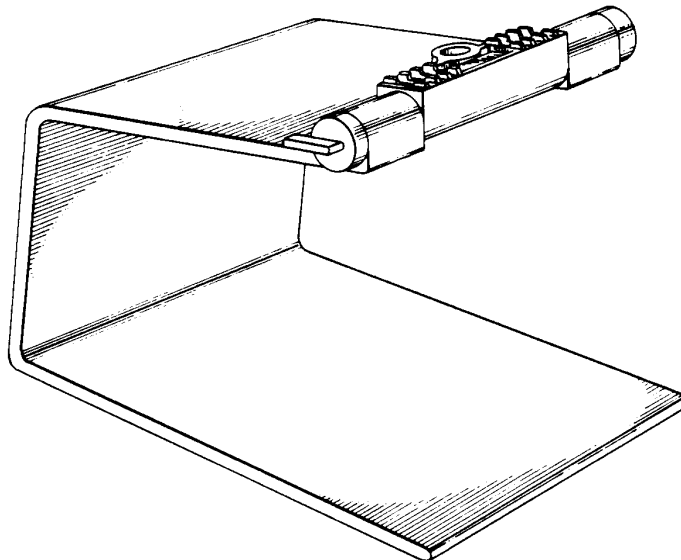
Primary Examiner—Susan J. Lucas
Attorney, Agent, or Firm—Blakely, Sokoloff, Taylor & Zafman

[57] **CLAIM**

The ornamental design for a monitor stand, substantially as shown.

DESCRIPTION

FIG. 1 is a front perspective view of the monitor stand showing our new design;
FIG. 2 is a top plan view thereof;
FIG. 3 is a front elevation view thereof;
FIG. 4 is a right side elevation view thereof;
FIG. 5 is a left side elevation view thereof;
FIG. 6 is a rear elevation view thereof;
FIG. 7 is a bottom plan view thereof.



Apple 2c

U.S. Patent Jul. 7, 1987 Sheet 1 of 3 Des. 290,706

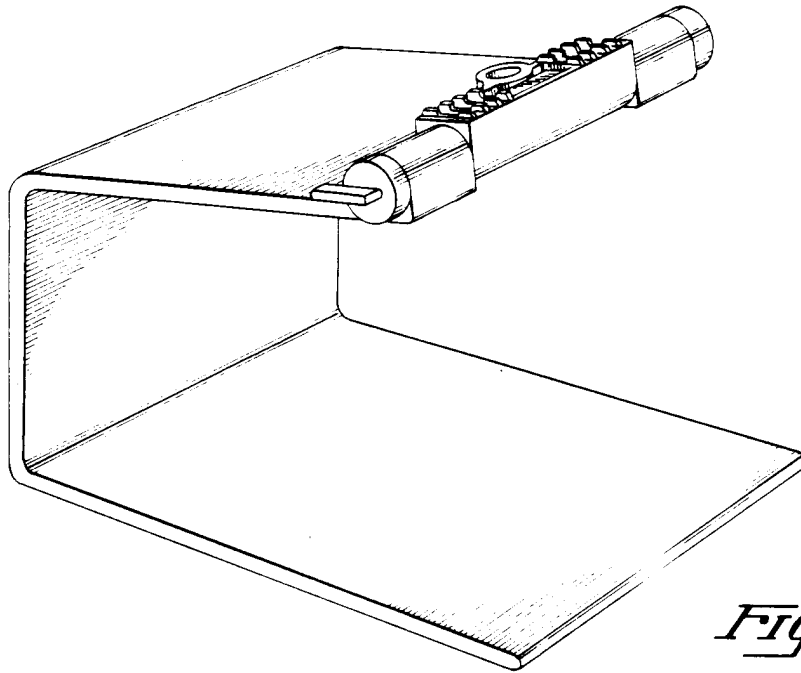


Fig. 1

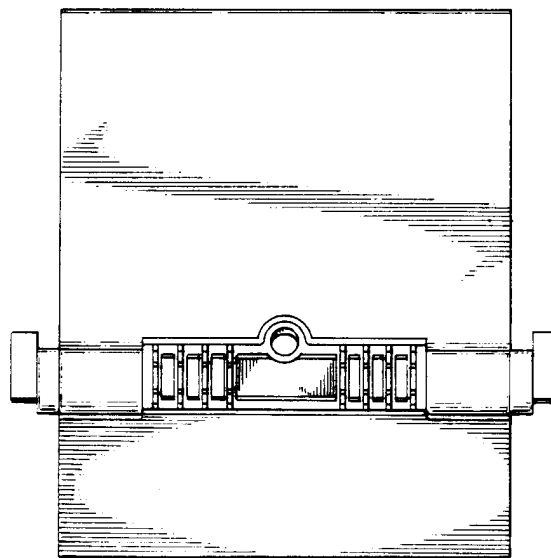


Fig. 2

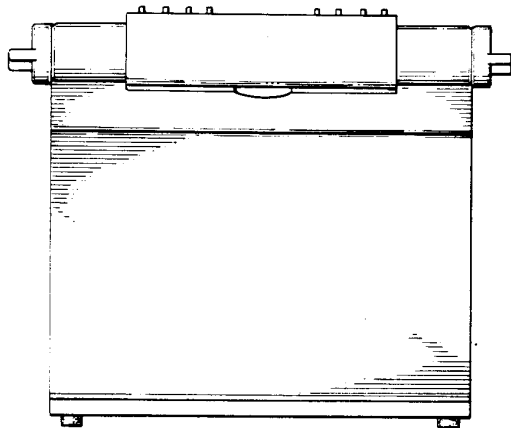


Fig. 3

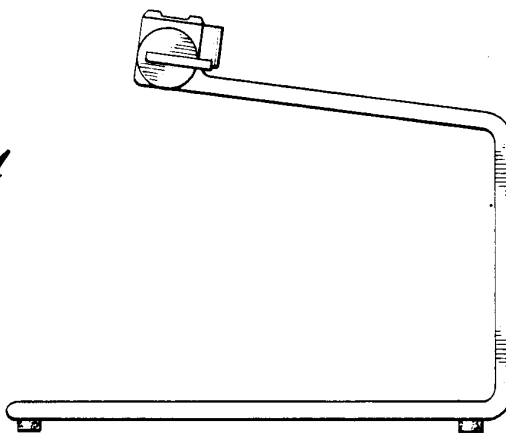


Fig. 4

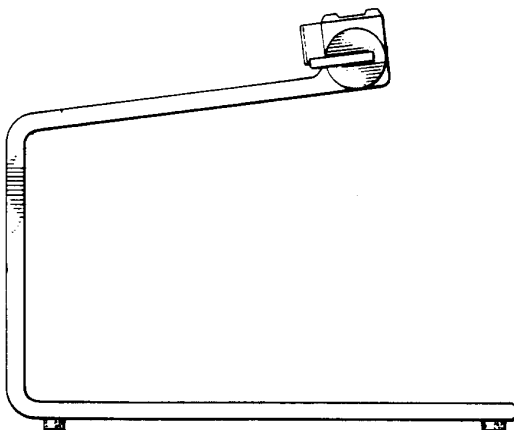


Fig. 5

U.S. Patent Jul. 7, 1987 Sheet 3 of 3 Des. 290,706

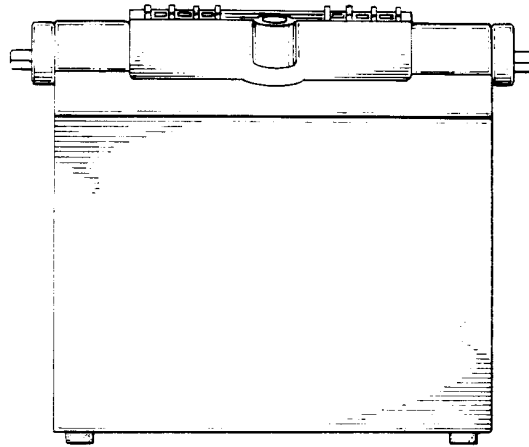


Fig. 6

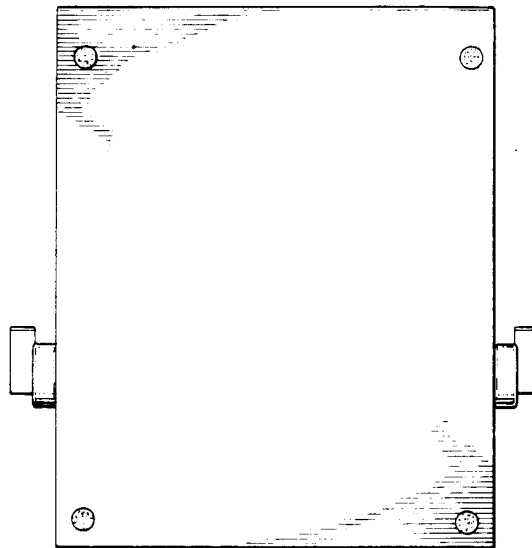


Fig. 7

United States Patent [19]
Peart et al.

[11] **Patent Number: Des. 290,716**
[45] **Date of Patent: ** Jul. 7, 1987**

[54] **LASER PRINTER**

[75] **Inventors: Stephen Peart, Los Gatos; Sigmar Willnauer, Campbell; Terrence B. Christensen, Mountain View, all of Calif.**

[73] **Assignee: Apple Computer, Inc., Cupertino, Calif.**

[**] **Term: 14 Years**

[21] **Appl. No.: 751,316**

[22] **Filed: Jul. 2, 1985**

[52] **U.S. Cl. D18/13**

[58] **Field of Search D18/13, 22, 23; D14/94, D14/107, 111, 114; D16/30-32; 400/118, 694, 689-693**

[56] **References Cited**

U.S. PATENT DOCUMENTS

D. 281,256 11/1985 Yamamoto D18/13
D. 283,900 5/1986 Hollerith, Jr. et al. D18/13
D. 285,565 9/1986 Hara et al. D14/111

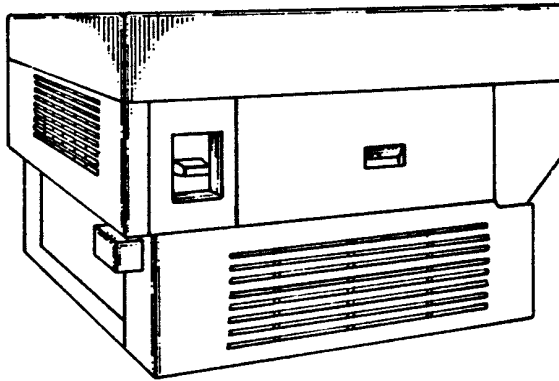
Primary Examiner—Louis S. Zarfes
Attorney, Agent, or Firm—Blakely, Sokoloff, Taylor & Zafman

[57] **CLAIM**

The ornamental design for a laser printer, substantially as shown.

DESCRIPTION

FIG. 1 is a front perspective view of a laser printer showing my new design on a reduced scale; FIG. 2 is a top plan view thereof; FIG. 3 is a front elevational view thereof; FIG. 4 is a right side elevational view thereof; FIG. 5 is a left side elevational view thereof; and FIG. 6 is a rear elevational view thereof.



(LaserWriter printer)

U.S. Patent Jul 7, 1987

Sheet 1 of 3 Des. 290,716

Fig. 1

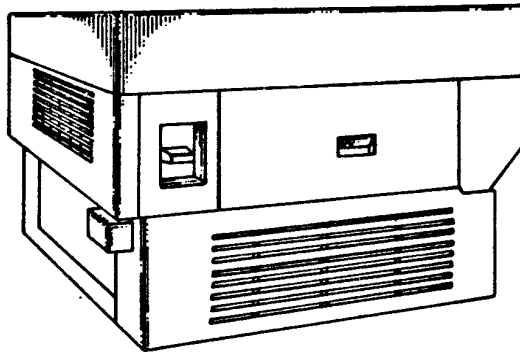
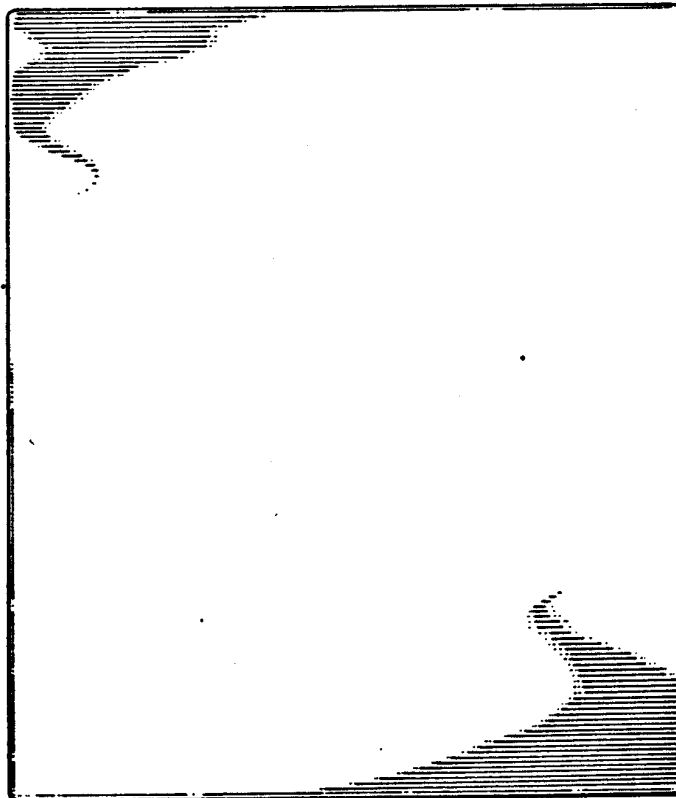


Fig. 2



U.S. Patent Jul 7, 1987

Sheet 2 of 3 Des. 290,716

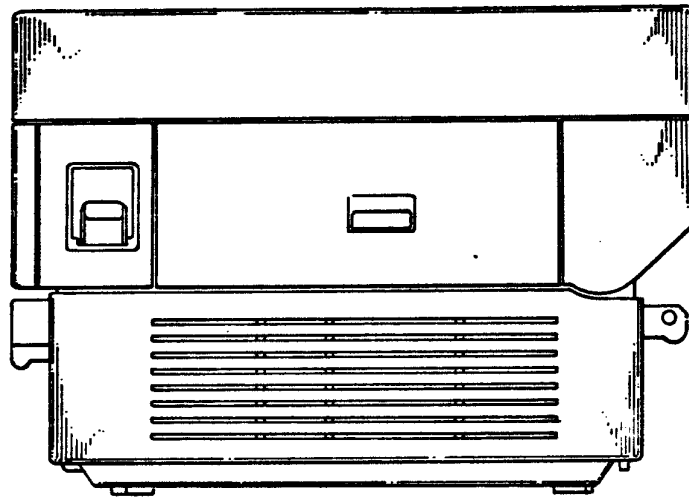


Fig. 3

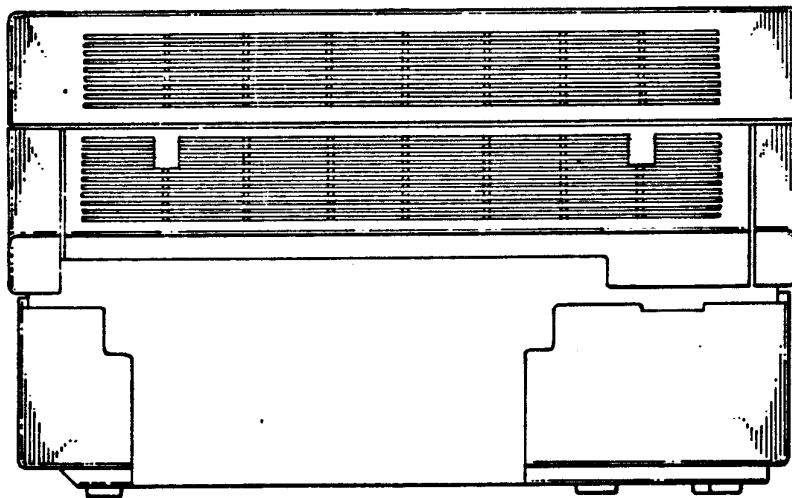


Fig. 4

U.S. Patent Jul 7, 1987

Sheet 3 of 3 Des. 290,716

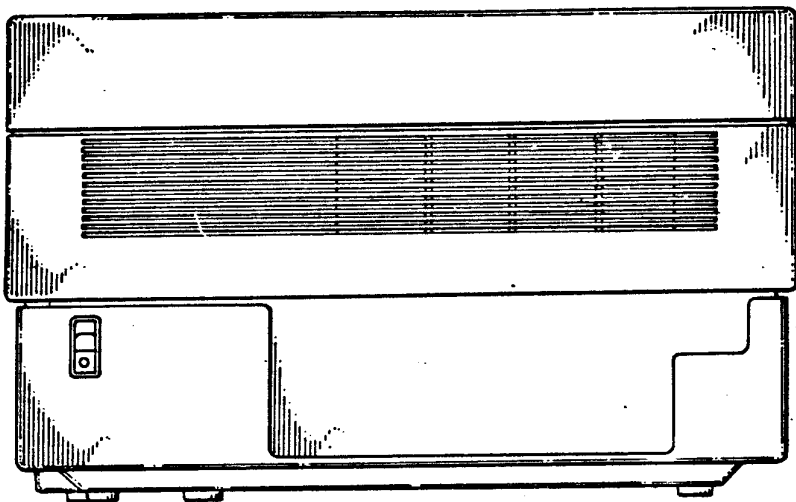


Fig. 5

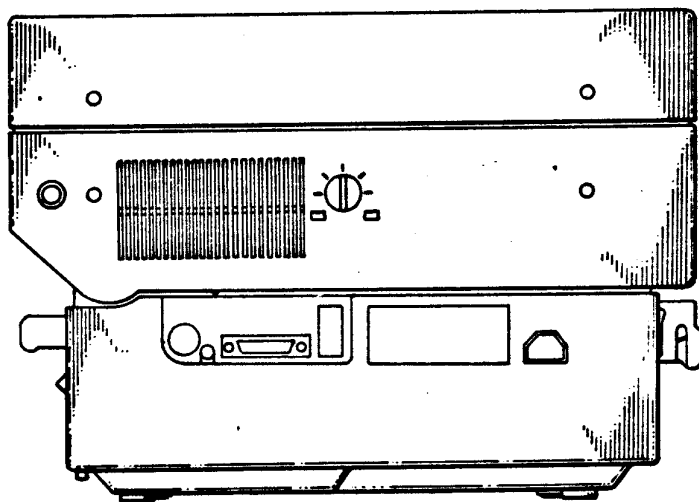


Fig. 6

United States Patent [19]
MacKenzie et al.

[11] **Patent Number: Des. 295,752**
[45] **Date of Patent: ** May 17, 1988**

[54] **MODEM**

[75] **Inventors:** William MacKenzie, San Jose;
Stephen Peart, Los Gatos, both of Calif.

[73] **Assignee:** Apple Computer, Inc., Cupertino, Calif.

[**] **Term:** 14 Years

[21] **Appl. No.:** 755,815

[22] **Filed:** Jul. 17, 1985

[52] **U.S. Cl.** D14/107

[58] **Field of Search** D14/100, 102, 105, 107,
D14/114, 109; D13/12, 40, 41; 361/331, 332,
380, 390, 391; 174/52 R

[56] **References Cited**

U.S. PATENT DOCUMENTS

D. 269,345 6/1983 Payne, Jr. et al. D14/107

OTHER PUBLICATIONS

Telecommunication Products & Technology, 3-1984, p. 15, Gandalf Async mini modem.

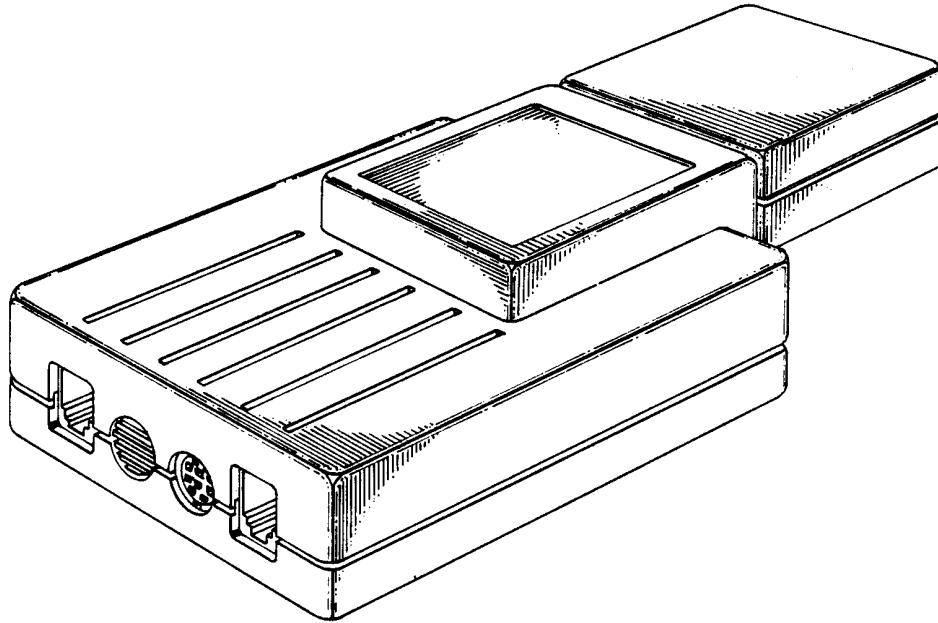
Primary Examiner—Susan J. Lucas
Attorney, Agent, or Firm—Blakely Sokoloff Taylor & Zafman

[57] **CLAIM**

The ornamental design for a modem, substantially as shown.

DESCRIPTION

FIG. 1 is a perspective view of a modem illustrating our new design;
FIG. 2 is a top plan view thereof;
FIG. 3 is a left side elevational view thereof;
FIG. 4 is a bottom plan view thereof;
FIG. 5 is a right side elevational view thereof;
FIG. 6 is a rear elevational view thereof.
FIG. 7 is a front elevational view thereof.



Personal Modem

U.S. Patent

May 17, 1988

Sheet 1 of 3

D295,752

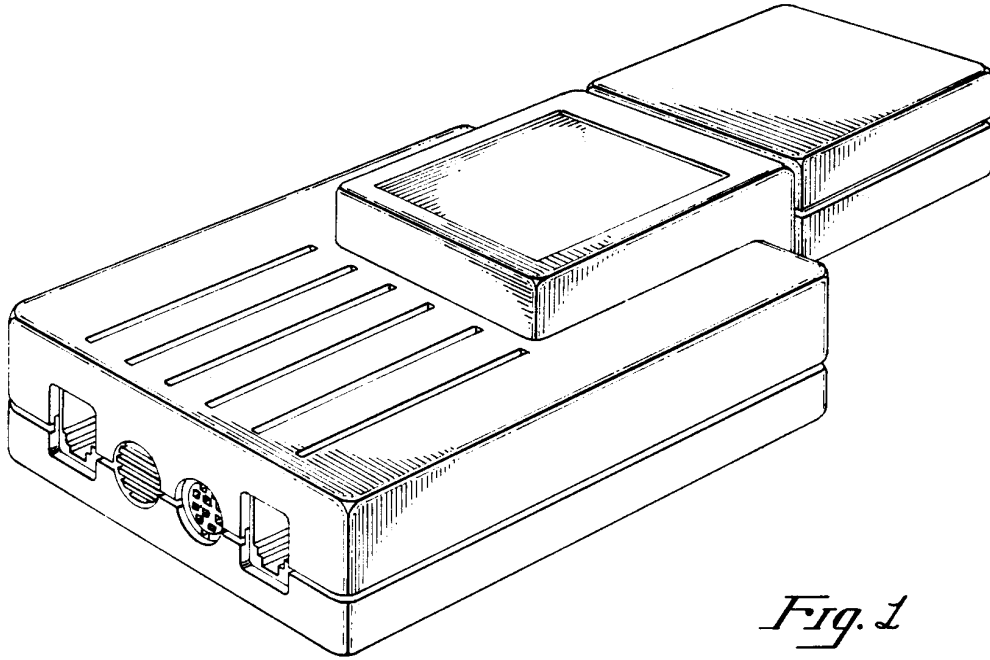


Fig. 1

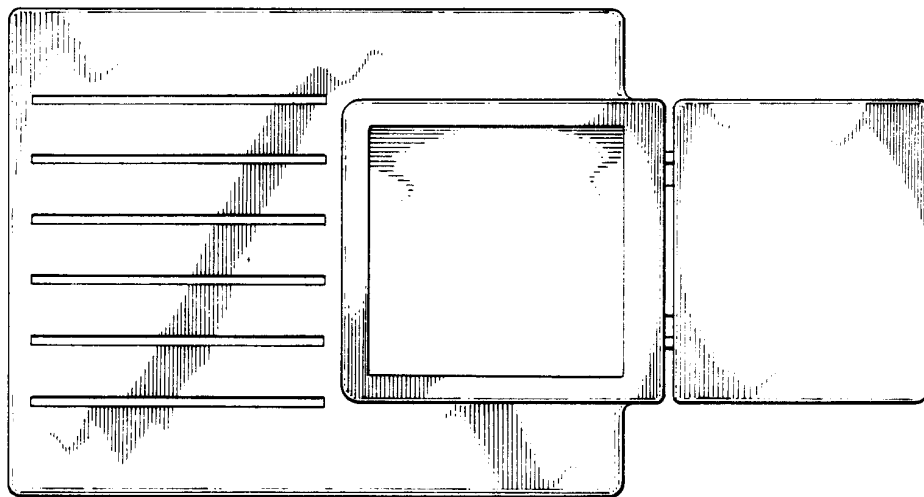


Fig. 2

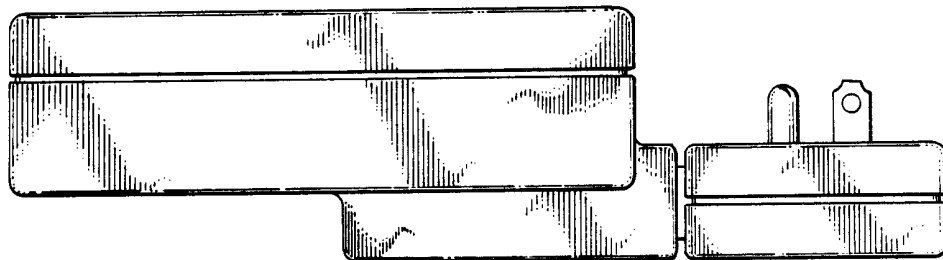


Fig. 3

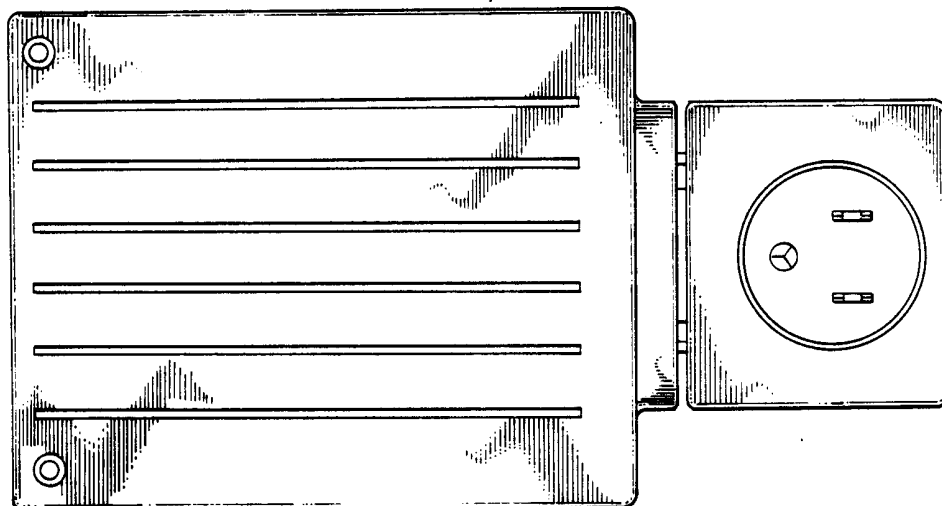


Fig. 4

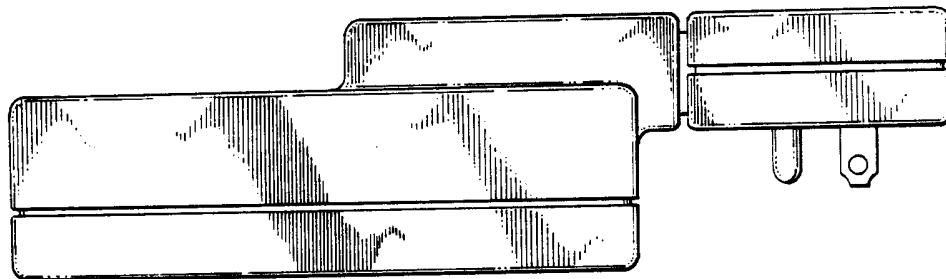


Fig. 5

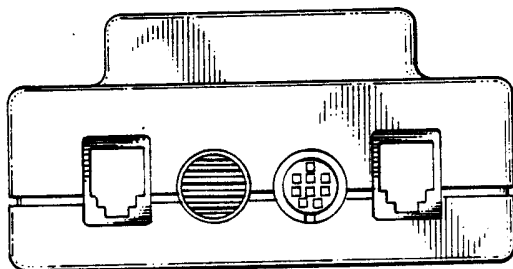


Fig. 6

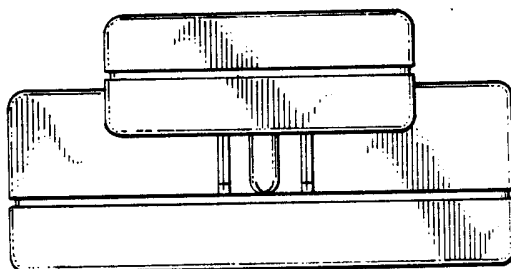


Fig. 7

United States Patent [19]

Peart et al.

[11] **Patent Number: Des. 303,791**

[45] **Date of Patent: ** Oct. 3, 1989**

[54] **COMPUTER HOUSING**

[75] **Inventors:** Stephen Peart, Los Gatos; Anthony Guido, Campbell, both of Calif.

[73] **Assignee:** Apple Computer, Inc., Cupertino, Calif.

[**] **Term:** 14 Years

[21] **Appl. No.:** 907,529

[22] **Filed:** Sep. 12, 1986

[52] **U.S. Cl.** D14/107

[58] **Field of Search** D14/100, 102, 105, 107, D14/109, 114, 115; D13/40, 41; 174/50, 52 R; 312/298, 208; 340/700; 364/708; 361/399, 394, 395

[56] **References Cited**

U.S. PATENT DOCUMENTS

D. 249,794 10/1978 Howe D14/107
D. 296,899 7/1988 Chu et al. D14/107 X

FOREIGN PATENT DOCUMENTS

613305 12/1960 Italy 174/50

OTHER PUBLICATIONS

BYTE-Apr. 1984, p. 389-Mu Sys Net/work 8816-(computer bottom center), Computer box.
Computer Design-Sep. 1984, p. 331-Pac Tec (computer upper right corner), Computer Box.
Computer Merchandising-Jan. 1985, p. 130-(computer in foreground)-Computer Box.
Computer Merchandising-Jan. 1985, p. 130-(computer in rear)-Computer Box.

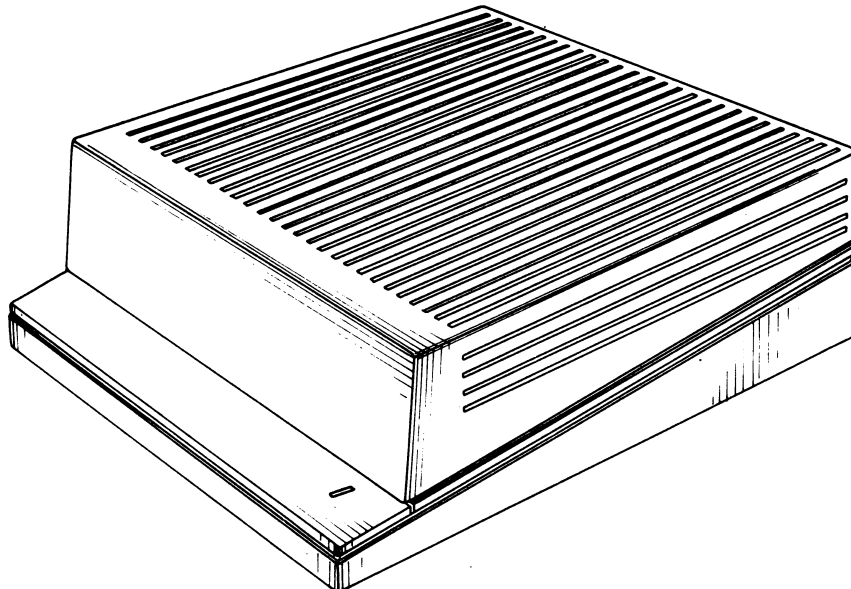
Primary Examiner—Susan J. Lucas
Assistant Examiner—Freda S. Nunn
Attorney, Agent, or Firm—Blakely, Sokoloff, Taylor & Zafman

[57] **CLAIM**

The ornamental design for a computer housing, as shown.

DESCRIPTION

FIG. 1 is a top, front, right side perspective view of the computer housing showing our new design;
FIG. 2 is a top plan view thereof;
FIG. 3 is a front, elevational view thereof;
FIG. 4 is a left side elevational view thereof;
FIG. 5 is a right side elevational view thereof;
FIG. 6 is a rear elevational view thereof;
FIG. 7 is a bottom plan view thereof.



Apple 2GS Computer

U.S. Patent

Oct. 3, 1989

Sheet 1 of 4

D303,791

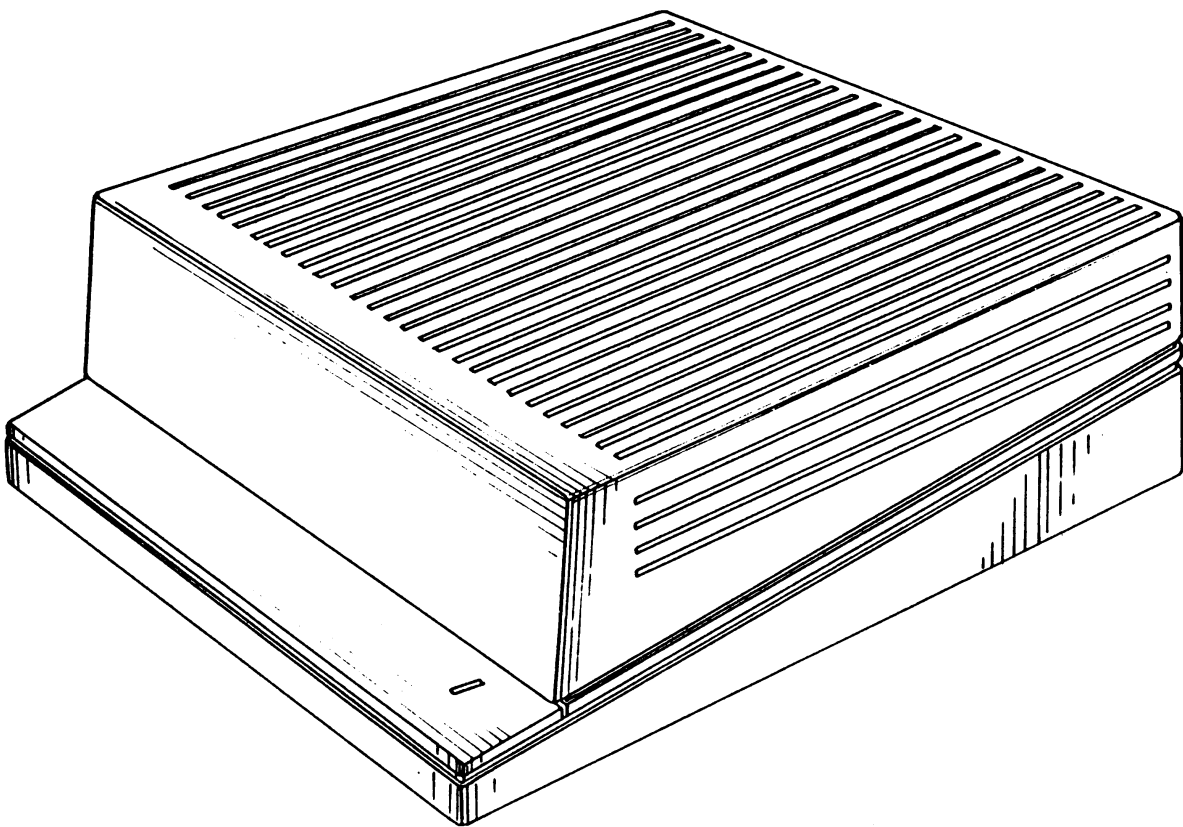


FIG. 1

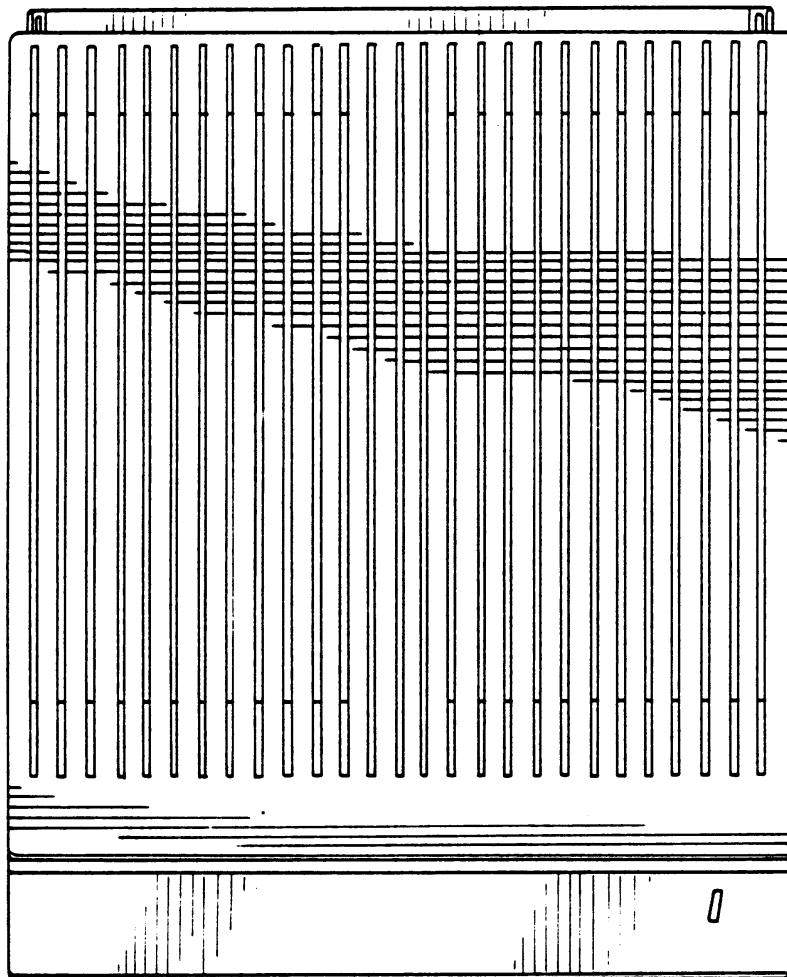


FIG. 2

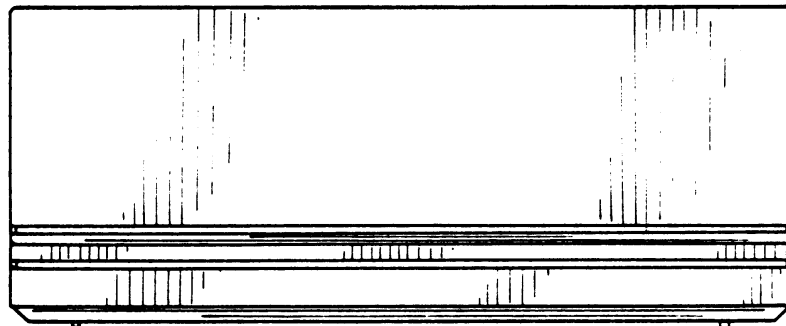


FIG. 3

U.S. Patent

Oct. 3, 1989

Sheet 3 of 4

D303,791

FIG. 4

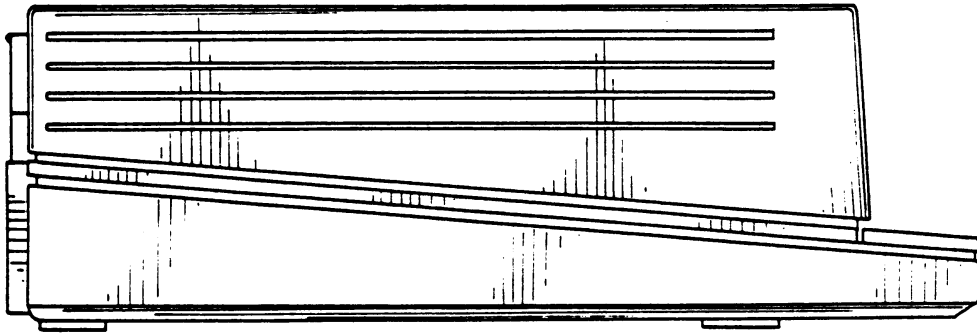


FIG. 5

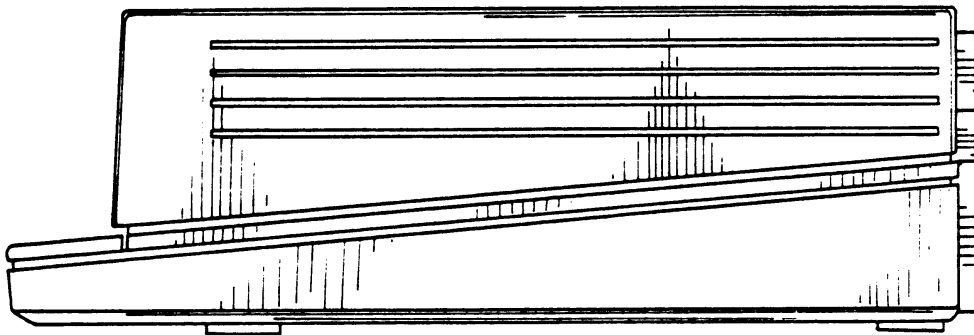


FIG. 6.

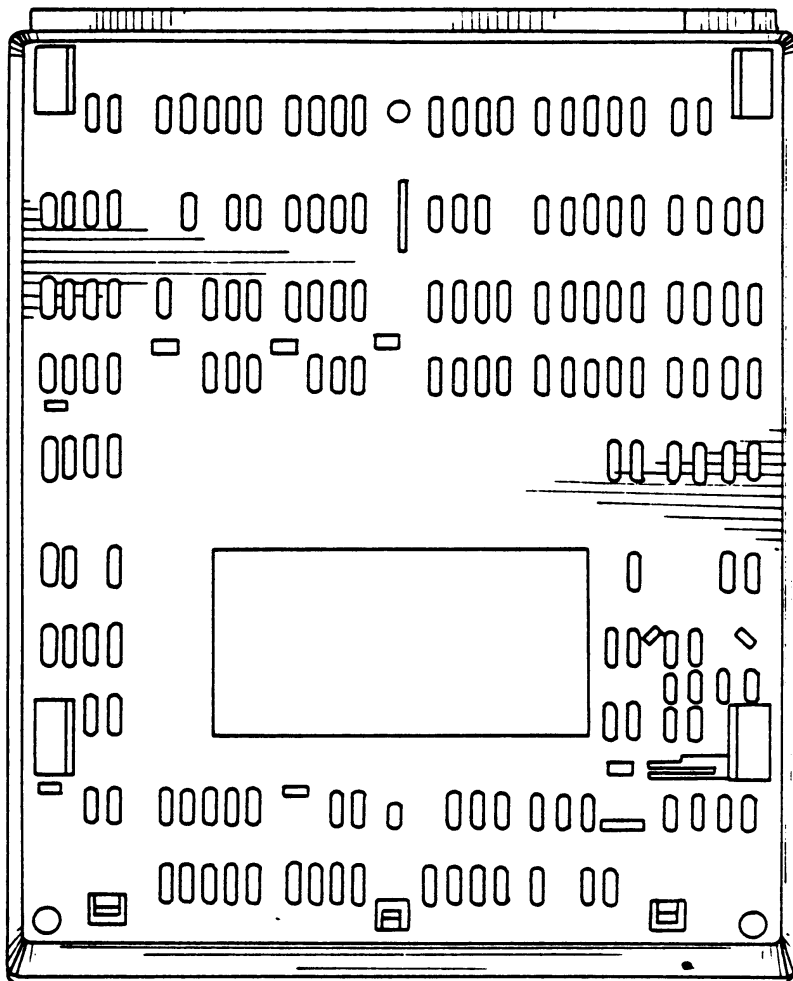
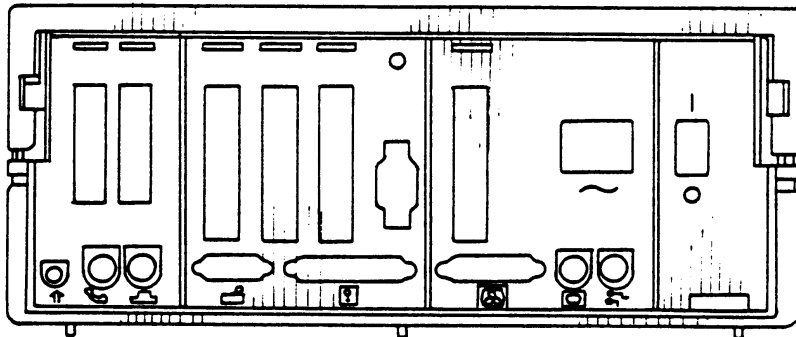


FIG. 7

United States Patent [19]
Adams et al.

[11] **Patent Number: Des. 304,447**
 [45] **Date of Patent: ** Nov. 7, 1989**

- [54] **HOUSING FOR MOVABLE CURSOR CONTROL FOR A VIDEO DISPLAY**
 4,635,496 1/1987 McTyre 273/148 B X
 4,797,665 1/1989 Ida et al. 340/710
- [75] **Inventors:** Steven Adams, San Jose; William Bull, Sunnyvale; Stephen Peart, Los Gatos, all of Calif.
- [73] **Assignee:** Apple Computer Inc., Cupertino, Calif.
- [**] **Term:** 14 Years
- [21] **Appl. No.:** 33,482
- [22] **Filed:** Mar. 31, 1987
- [52] **U.S. Cl.** D14/114
- [58] **Field of Search** D14/100, 106, 107, 114, D14/116; D13/32, 38; D21/48, 153, 188, 189; 74/471 XY; 178/18, 19; 200/5 A, 5 R, 6 A, 6 R; 340/706, 709, 710, 711; 341/22, 23; 273/148 B

- [56] **References Cited**
- U.S. PATENT DOCUMENTS**
- | | | | | |
|------------|---------|---------------|-------|----------|
| D. 283,818 | 5/1986 | Skaggs | | D14/114 |
| D. 284,284 | 6/1986 | Manock et al. | | D13/38 X |
| 4,464,652 | 8/1984 | Lapson et al. | | 340/710 |
| 4,559,532 | 12/1985 | Hosogoe | | 340/710 |

OTHER PUBLICATIONS

Icon Review—The Mac Catalog—Winter 1986, p. 16, Click Art Mouse (top of page).

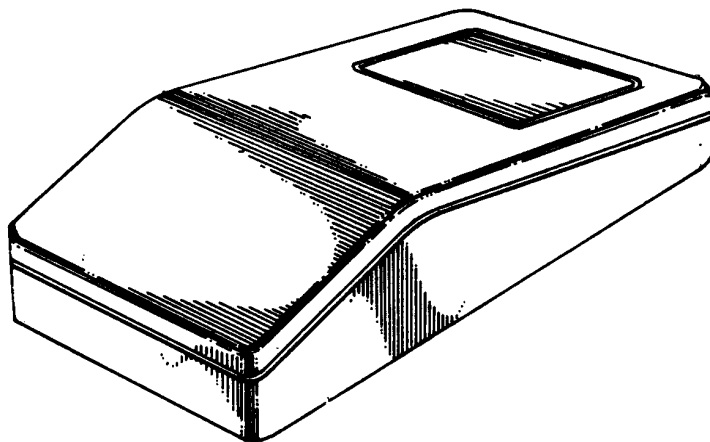
Primary Examiner—Susan J. Lucas
Assistant Examiner—Freda S. Nunn
Attorney, Agent, or Firm—Blakely, Sokoloff, Taylor & Zafman

[57] **CLAIM**

The ornamental design for a housing for movable cursor control for a video display, as shown.

DESCRIPTION

FIG. 1 is a top, front, right side perspective view of a housing for movable cursor control for a video display showing our new design;
 FIG. 2 is a top plan view thereof;
 FIG. 3 is a front elevational view thereof;
 FIG. 4 is a right side elevational view thereof;
 FIG. 5 is a left side elevational view thereof;
 FIG. 6 is a rear elevational view thereof;
 FIG. 7 is a bottom plan view thereof.



Macintosh

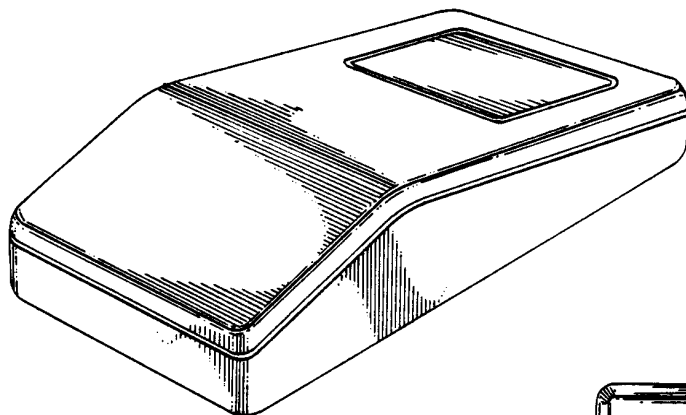


Fig. 1

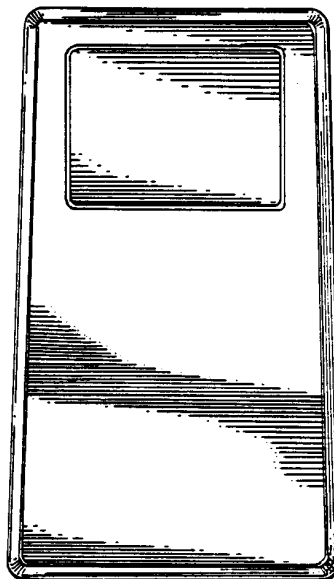


Fig. 2

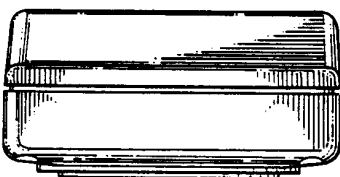


Fig. 3

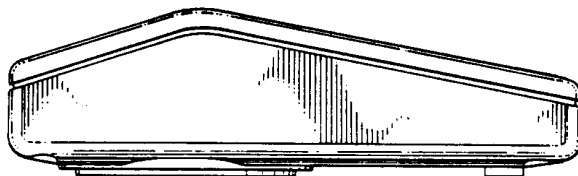


Fig. 4

U.S. Patent

Nov. 7, 1989

Sheet 2 of 2

D304,447

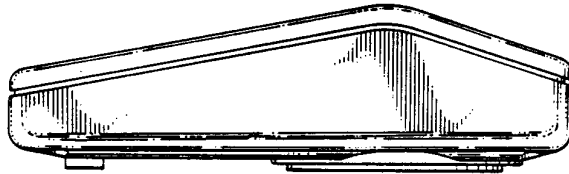


Fig. 5

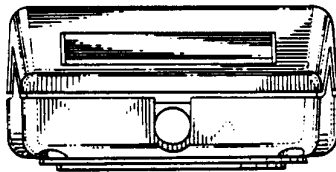


Fig. 6

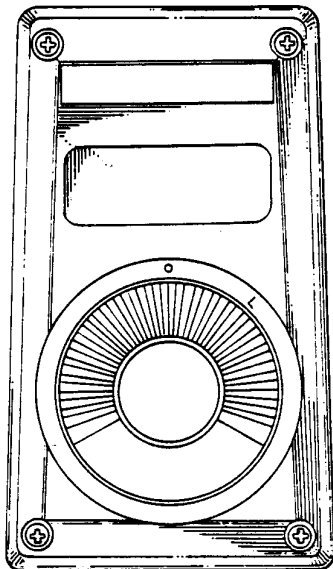


Fig. 7

United States Patent [19]
Esslinger

[11] **Patent Number: Des. 305,227**
[45] **Date of Patent: ** Dec. 26, 1989**

- [54] **COMPUTER HOUSING**
- [75] **Inventor:** Hartmut H. Esslinger, Los Gatos, Calif.
- [73] **Assignee:** Apple Computer, Inc., Cupertino, Calif.
- [**] **Term:** 14 Years
- [21] **Appl. No.:** 47,990
- [22] **Filed:** May 11, 1987
- [52] **U.S. Cl. D14/100**
- [58] **Field of Search D14/100-117;**
D13/40, 41; 340/700, 711; 364/708, 709, 706, 705, 710; 200/5 A, 5 R, 6 A, 6 R; 360/97, 98, 99, 132, 133, 97.02; 361/330, 331, 334, 335, 332, 380, 381, 379, 390-395; 312/299, 208, 270, 253; 174/50, 52 R

- [56] **References Cited**
- U.S. PATENT DOCUMENTS**
- D. 214,909 8/1969 Brefka D13/41 X
- D. 277,283 1/1985 Empson et al. D14/100
- D. 280,410 9/1985 Sakamoto D14/100

OTHER PUBLICATIONS

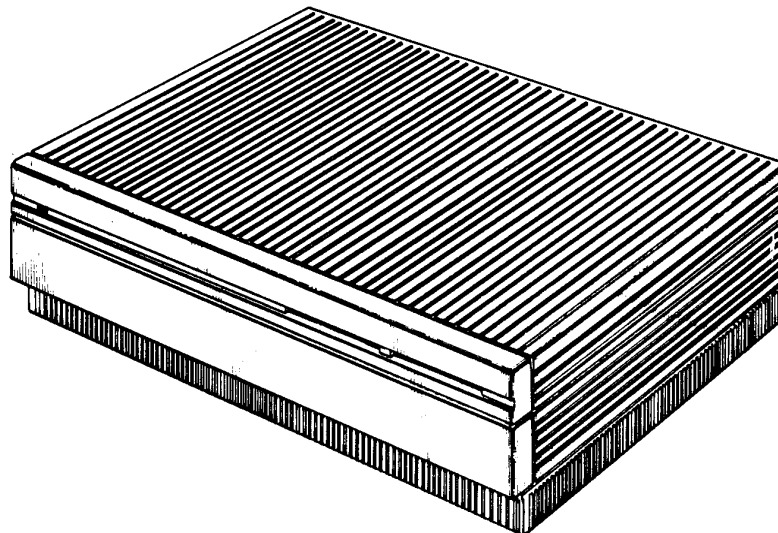
Computer Products, Oct. 1981, p. 18—Computer upper right corner of page.
 Xerox Corporation, 1983, p. 1 (cover) Computer in foreground.
Primary Examiner—Susan J. Lucas
Assistant Examiner—Freda Selma-Nunn
Attorney, Agent, or Firm—Blakely, Sokoloff, Taylor, Zafman

CLAIM

[57] The ornamental design for a computer housing, as shown.

DESCRIPTION

FIG. 1 is a top perspective view of the computer housing showing my new design;
 FIG. 2 is a top plan view thereof;
 FIG. 3 is a front elevational view thereof;
 FIG. 4 is a right side elevational view thereof;
 FIG. 5 is a left side elevational view thereof;
 FIG. 6 is a rear elevational view thereof;
 FIG. 7 is a bottom plan view thereof.



Macintosh 2

U.S. Patent

Dec. 26, 1989

Sheet 1 of 3

D305,227

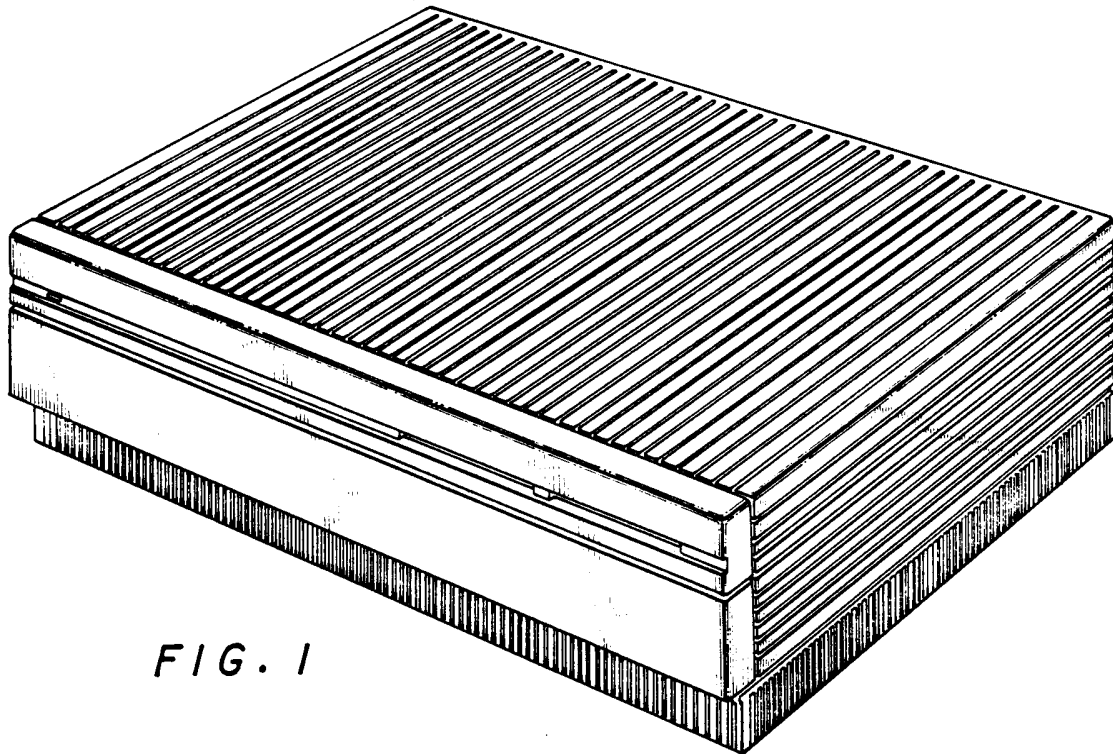


FIG. 1

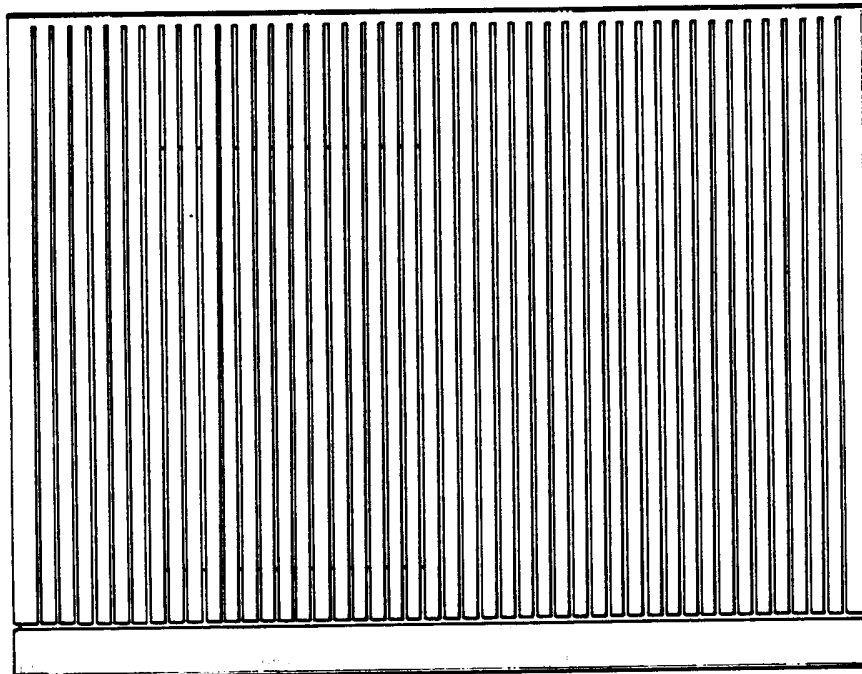


FIG. 2

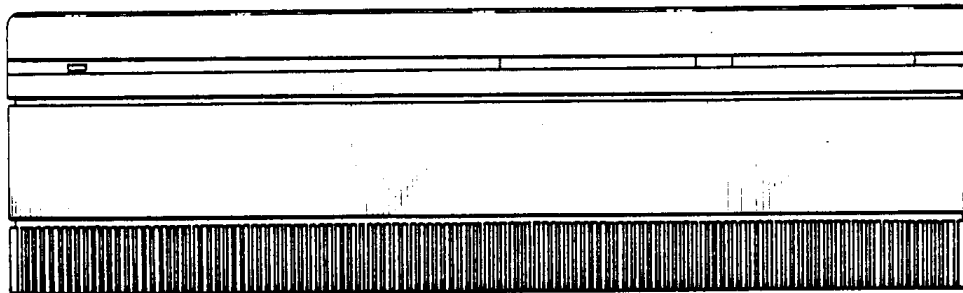


FIG. 3

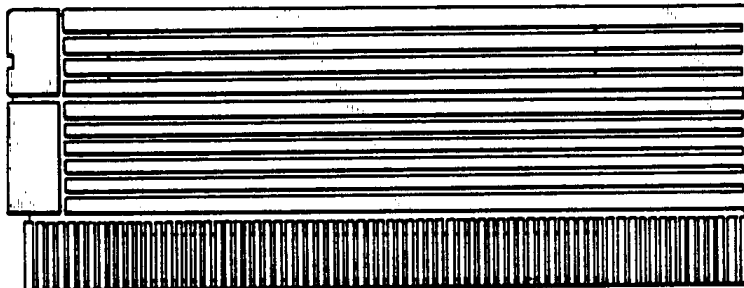


FIG. 4

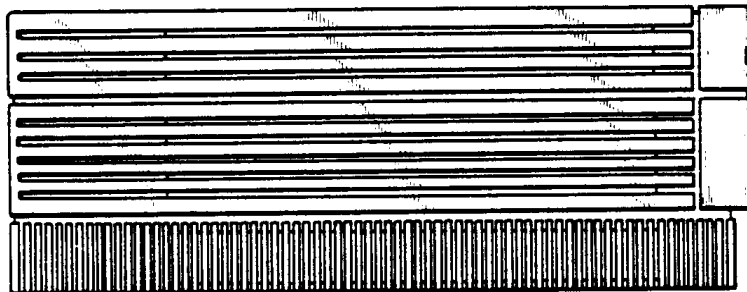


FIG. 5

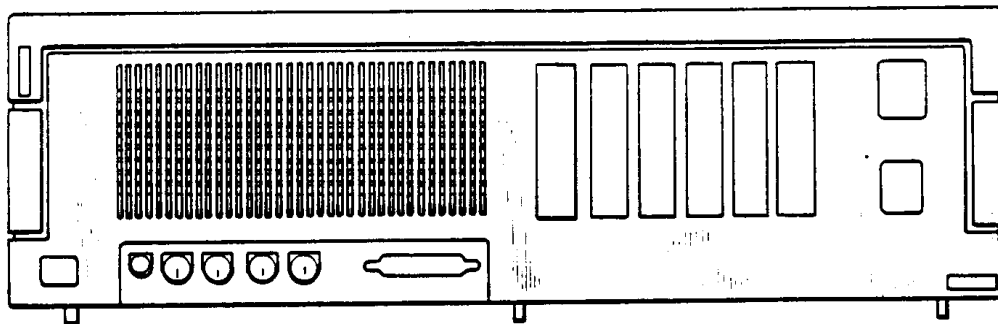


FIG. 6

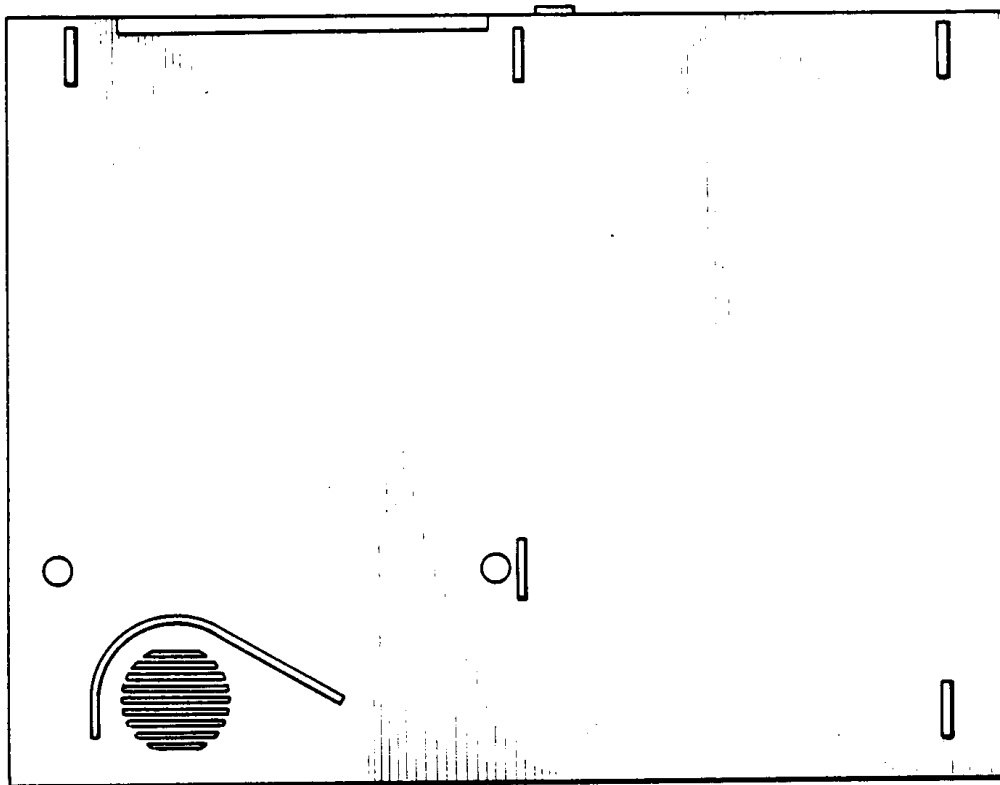


FIG. 7

United States Patent [19]

[11] **Patent Number: Des. 308,053**

Peart

[45] **Date of Patent: ** May 22, 1990**

- [54] **VIDEO DISPLAY FOR COMPUTER**
- [75] **Inventor: Stephen Peart, Los Gatos, Calif.**
- [73] **Assignee: Apple Computer, Inc., Cupertino, Calif.**
- [**] **Term: 14 Years**
- [21] **Appl. No.: 26,559**
- [22] **Filed: Mar. 17, 1987**
- [52] **U.S. CL. D14/113**
- [58] **Field of Search D14/100, 105, 106, 107, D14/113, 114, 115, 102; 340/700, 706, 711, 712; 341/22, 23; 358/248, 249, 254; 312/7.2, 208; 248/122, 125, 127, 133, 149, 161, 178, 179, 183, 346, 349, 371**

- D. 284,008 5/1986 Esslinger et al. D14/113
- D. 295,863 5/1988 Sacherman D14/113

Primary Examiner—Susan J. Lucas
Assistant Examiner—Freda S. Nunn
Attorney, Agent, or Firm—Blakely, Sokoloff, Taylor & Zafman

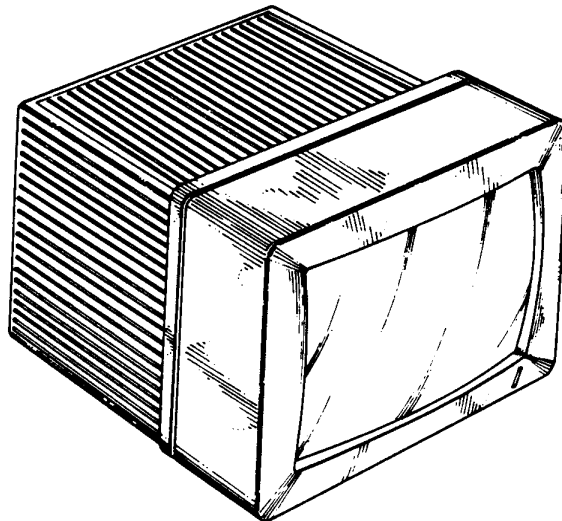
[57] **CLAIM**

The ornamental design for a video display for computer, as shown.

DESCRIPTION

FIG. 1 is a top, front, left side perspective view of the video display for computer showing my new design;
 FIG. 2 is a top plan view thereof;
 FIG. 3 is a front elevational view thereof;
 FIG. 4 is a right side elevational view thereof;
 FIG. 5 is a left side elevational view thereof;
 FIG. 6 is a back elevational view thereof;
 FIG. 7 is a bottom plan view thereof.

- [56] **References Cited**
- U.S. PATENT DOCUMENTS**
- D. 259,343 5/1981 Chamberlain et al. D14/113



Macintosh

Monochrome
Monitor
12" (?)

U.S. Patent

May 22, 1990

Sheet 1 of 3

D308,053

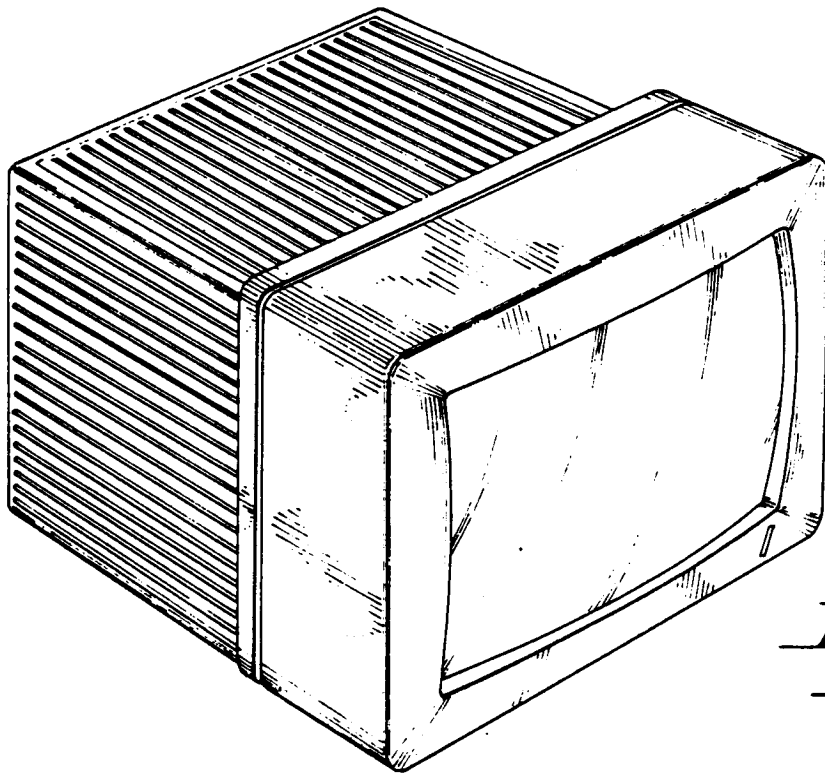


Fig. 1

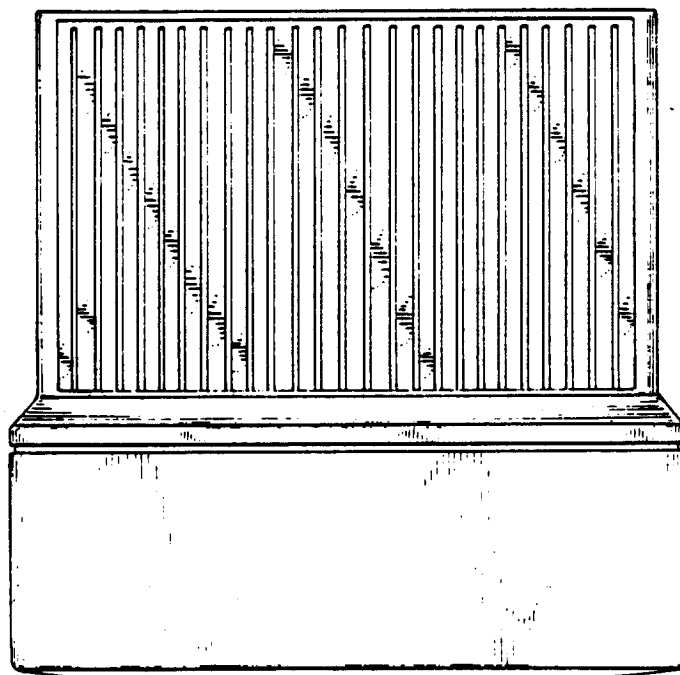


Fig. 2

U.S. Patent

May 22, 1990

Sheet 2 of 3

D308,053

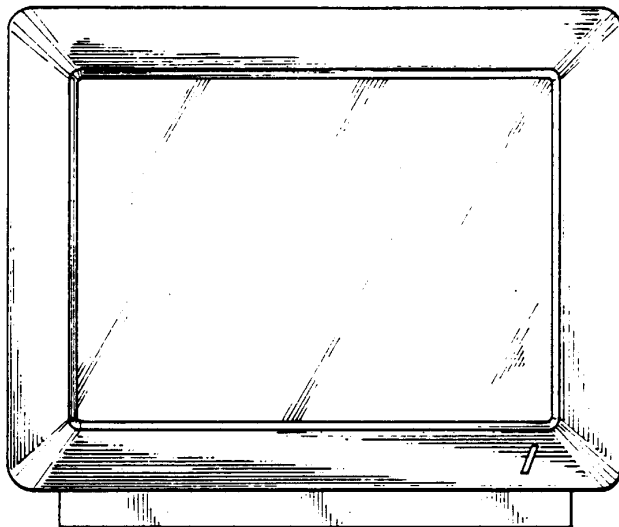


Fig. 3

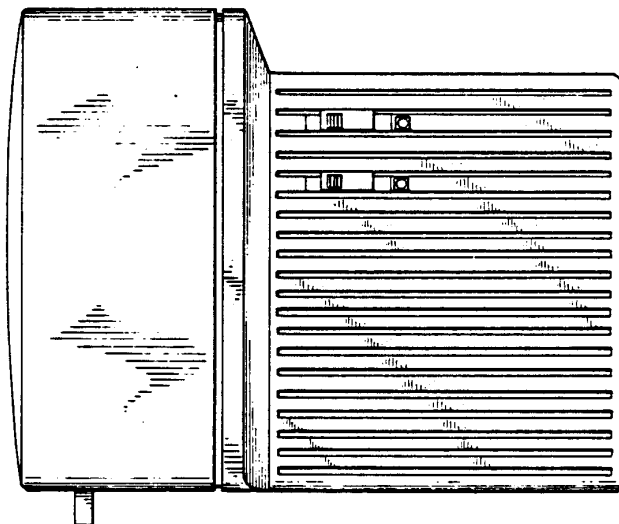


Fig. 4

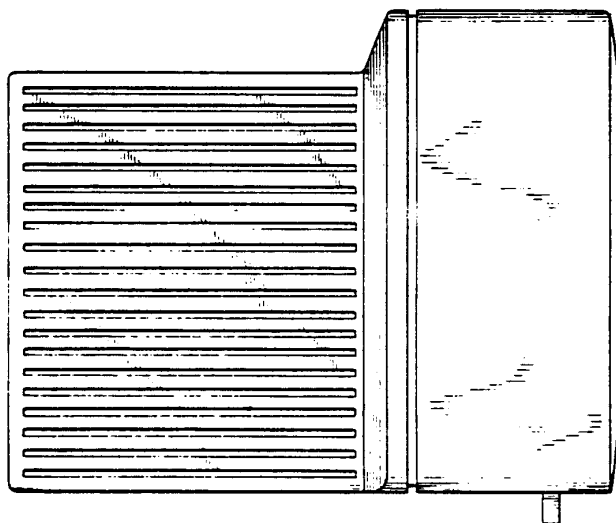


Fig. 5

U.S. Patent

May 22, 1990

Sheet 3 of 3

D308,053

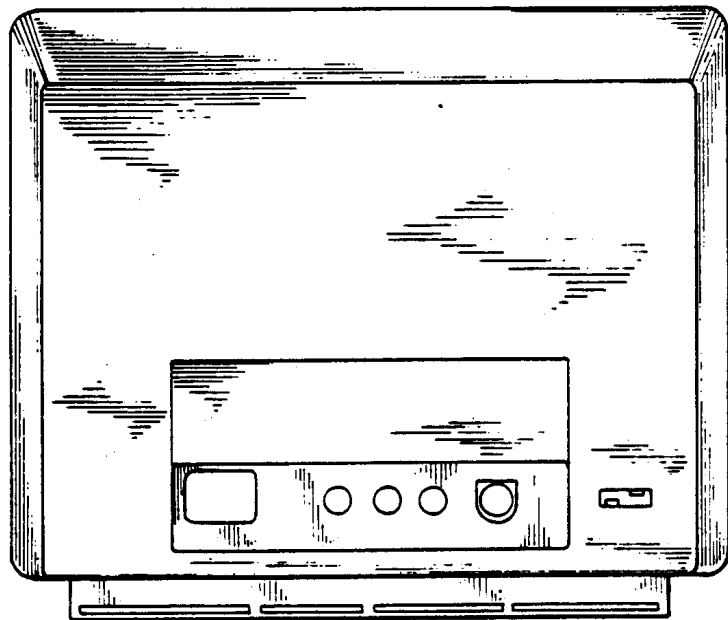


Fig. 6

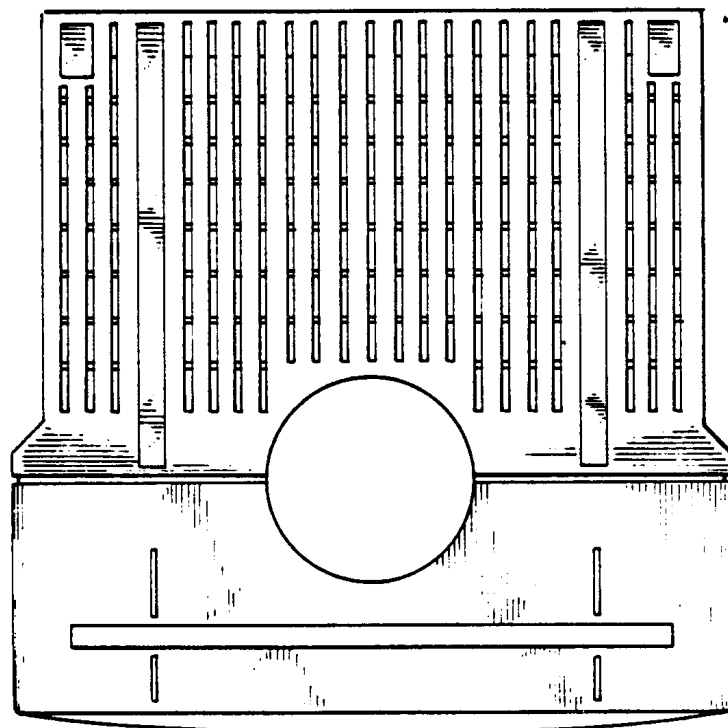


Fig. 7

United States Patent [19]
Peart

[11] **Patent Number: Des. 308,054**

[45] **Date of Patent: ** May 22, 1990**

[54] **VIDEO DISPLAY FOR COMPUTER**

[75] **Inventor: Stephen Peart, Los Gatos, Calif.**

[73] **Assignee: Apple Computer, Inc., Cupertino, Calif.**

[**] **Term: 14 Years**

[21] **Appl. No.: 26,560**

[22] **Filed: Mar. 17, 1987**

[52] **U.S. CL D14/113**

[58] **Field of Search D14/100, 106, 107, 105, D14/102, 113, 114, 115; 340/700, 706, 711, 712; 341/22, 23; 358/248, 249, 254; 312/7.2, 208; 248/122, 125, 127, 133, 149, 161, 178, 183, 179, 346, 349, 371**

[56] **References Cited**

U.S. PATENT DOCUMENTS

D. 259,343 5/1981 Chamberlain et al. D14/113

D. 284,008 5/1986 Esslinger et al. D14/113
D. 295,863 5/1988 Sacherman D14/113

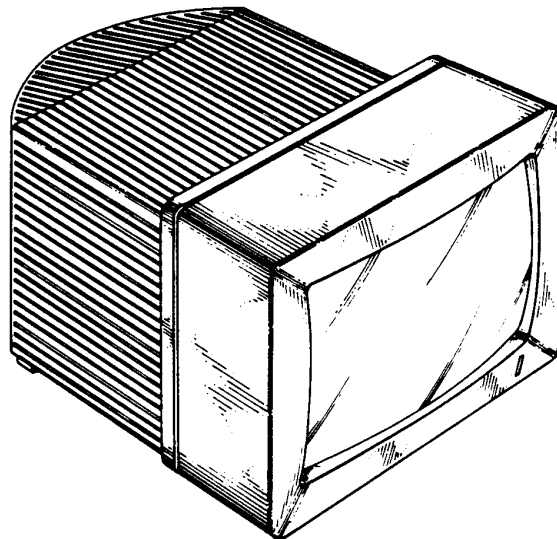
Primary Examiner—Susan J. Lucas
Assistant Examiner—Freda S. Nunn
Attorney, Agent, or Firm—Blakely, Sokoloff, Taylor & Zafman

[57] **CLAIM**

The ornamental design for a video display for computer, as shown.

DESCRIPTION

FIG. 1 is a top, front, left side perspective view of the video display for computer showing my new design; FIG. 2 is a top plan view thereof; FIG. 3 is a front elevational view thereof; FIG. 4 is a right side elevational view thereof; FIG. 5 is a left side elevational view thereof; FIG. 6 is a back elevational view thereof; FIG. 7 is a bottom plan view thereof.



Macintosh

Color
Monitor

12" (?)

U.S. Patent

May 22, 1990

Sheet 1 of 3

D308,054

Fig. 1

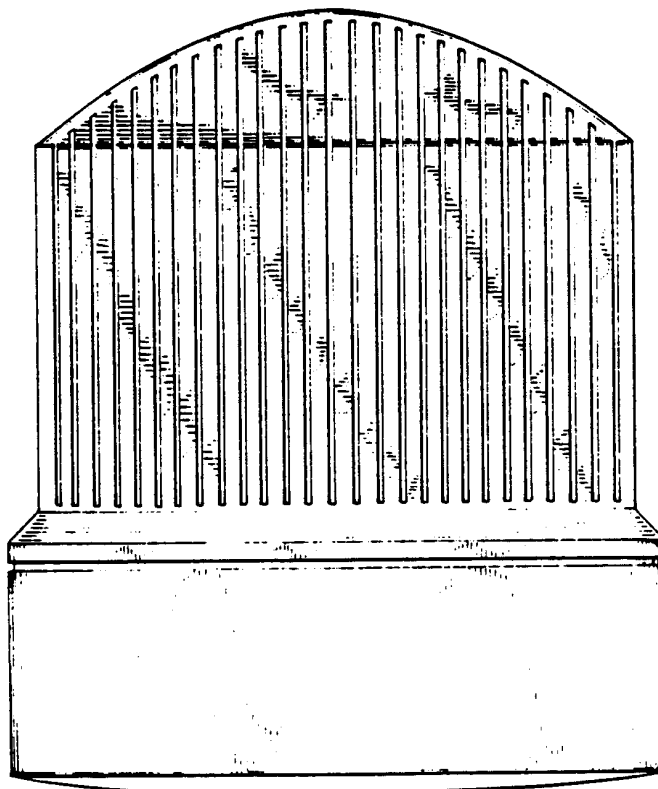
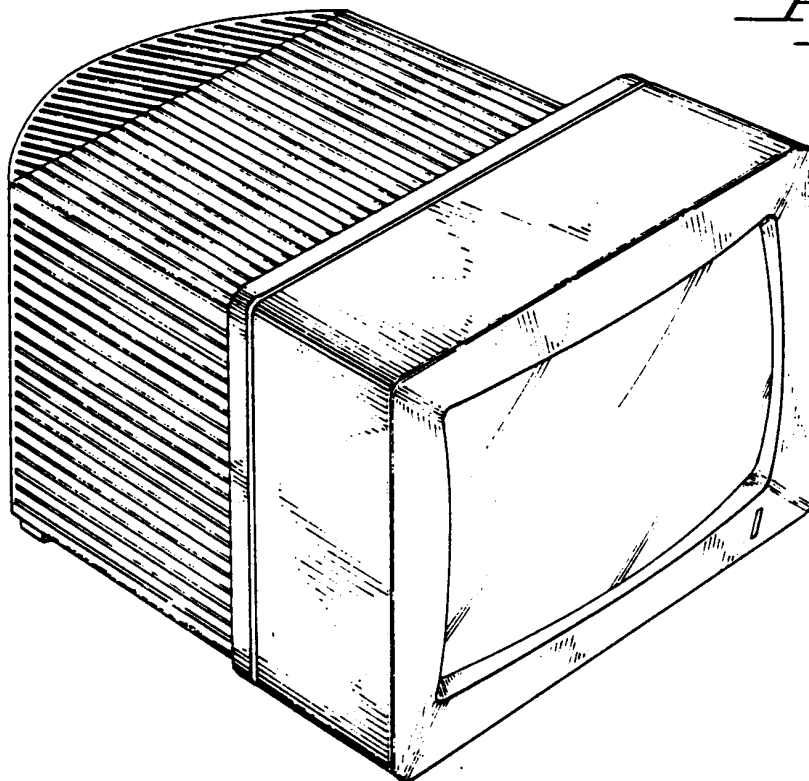


Fig. 2

U.S. Patent

May 22, 1990

Sheet 2 of 3

D308,054

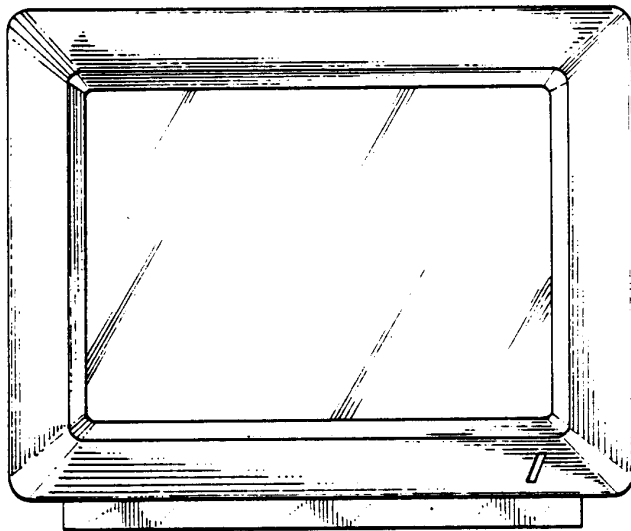


Fig. 3

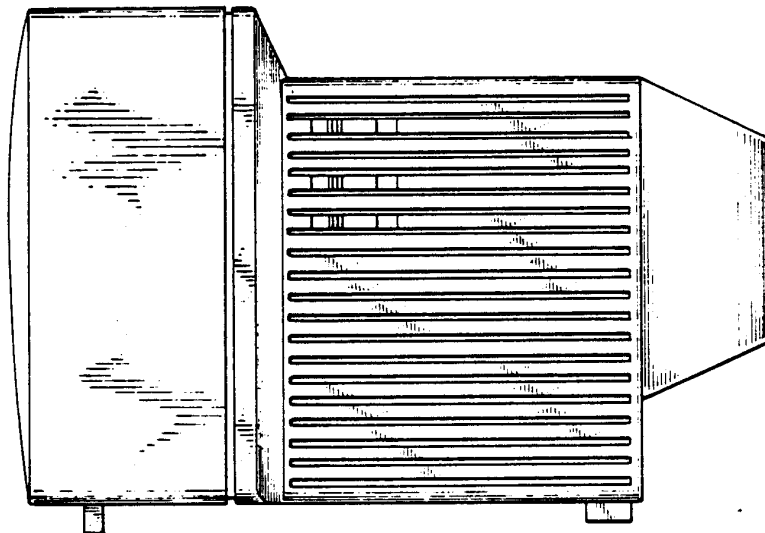


Fig. 4

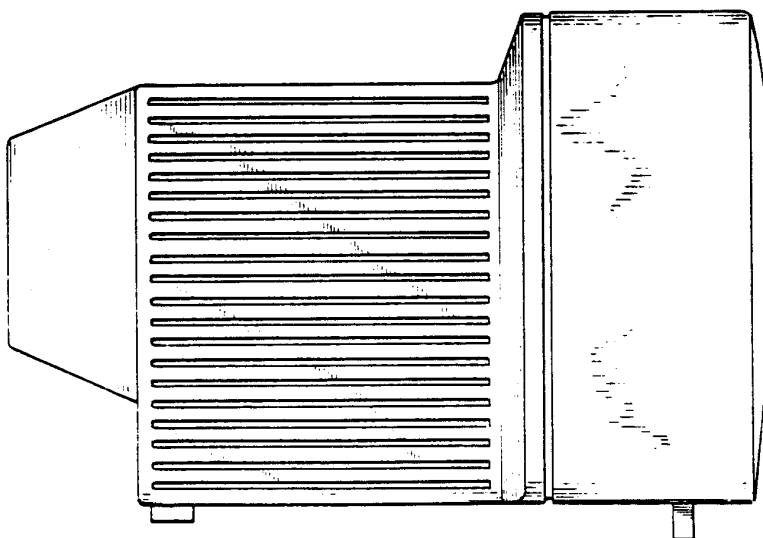


Fig. 5

U.S. Patent

May 22, 1990

Sheet 3 of 3

D308,054

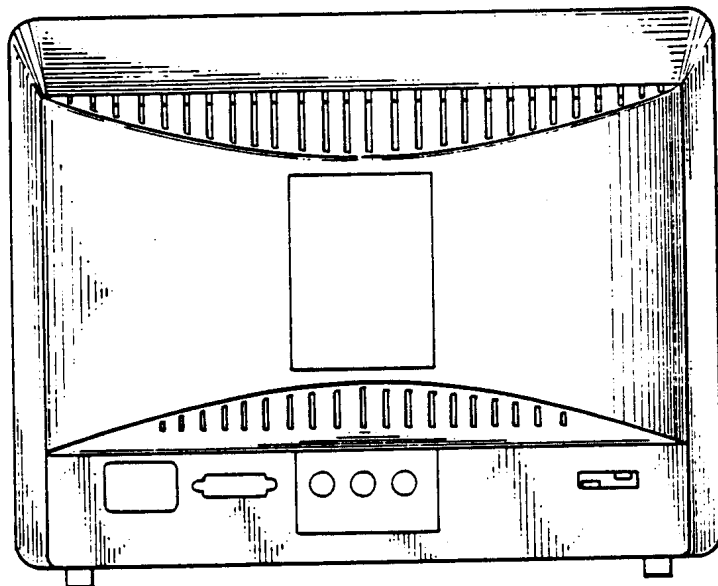


Fig. 6

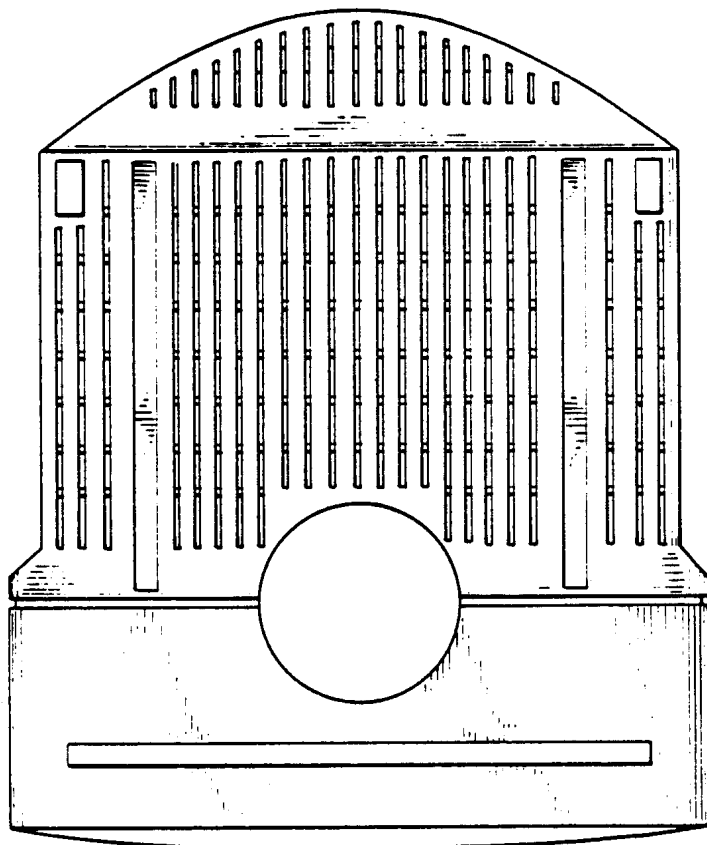


Fig. 7

United States Patent [19]
Willnauer

[11] **Patent Number: Des. 308,196**
[45] **Date of Patent: ** May 29, 1990**

[54] **VIDEO DISPLAY FOR A COMPUTER**

[75] **Inventor: Sigmar Willnauer, Portola Valley, Calif.**

[73] **Assignee: Apple Computer, Inc., Cupertino, Calif.**

[*] **Notice: The portion of the term of this patent subsequent to May 22, 2004 has been disclaimed.**

[**] **Term: 14 Years**

[21] **Appl. No.: 29,407**

[22] **Filed: Mar. 23, 1987**

[52] **U.S. Cl. D14/113**

[58] **Field of Search D14/100-117; D18/1, 7, 11, 12, 2, 5, 6; 235/145 A, 145 R; 340/700, 706, 711, 712; 400/677, 682, 472, 489, 492, 496, 676; 364/130, 144, 143, 145, 146, 189, 200, 706, 707, 708, 709, 710; 358/249, 254; 341/22, 23; 200/5 A**

[56] **References Cited**

U.S. PATENT DOCUMENTS

D. 284,008 5/1986 Esslinger et al. D14/113
D. 291,085 7/1987 Nuttall et al. D14/113
D. 295,863 5/1988 Sacherman D14/113

OTHER PUBLICATIONS

New York Times Magazine, Feb. 17, 1985, p. 1 (computer display), Computer Box.

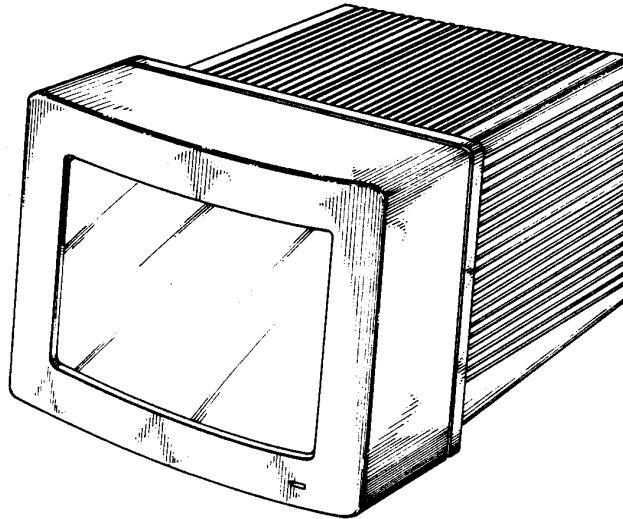
Primary Examiner—Susan J. Lucas
Assistant Examiner—Freda S. Nunn
Attorney, Agent, or Firm—Blakely, Sokoloff, Taylor & Zafman

[57] **CLAIM**

The ornamental design for a video display for a computer, as shown.

DESCRIPTION

FIG. 1 is a right front perspective view of a video display for a computer showing my new design;
FIG. 2 is a top plan view thereof;
FIG. 3 is a front elevational view thereof;
FIG. 4 is a right side elevational view thereof;
FIG. 5 is a left side elevational view thereof;
FIG. 6 is a back elevational view thereof;
FIG. 7 is a bottom plan view thereof.



Macintosh

Color
Monitor
13" (?)

U.S. Patent

May 29, 1990

Sheet 1 of 3

D308,196

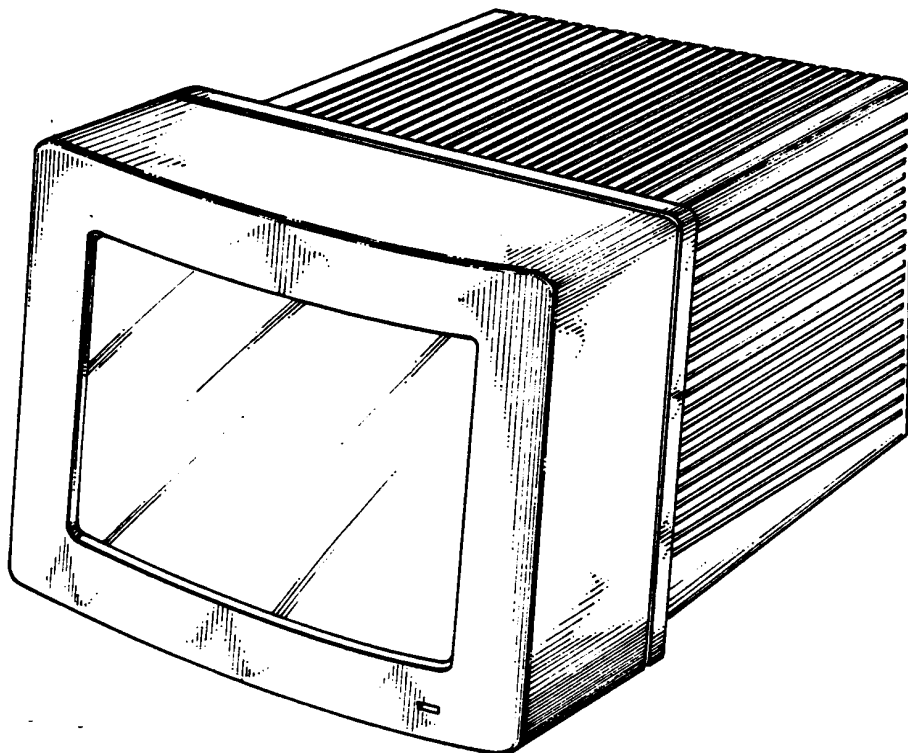


Fig. 1

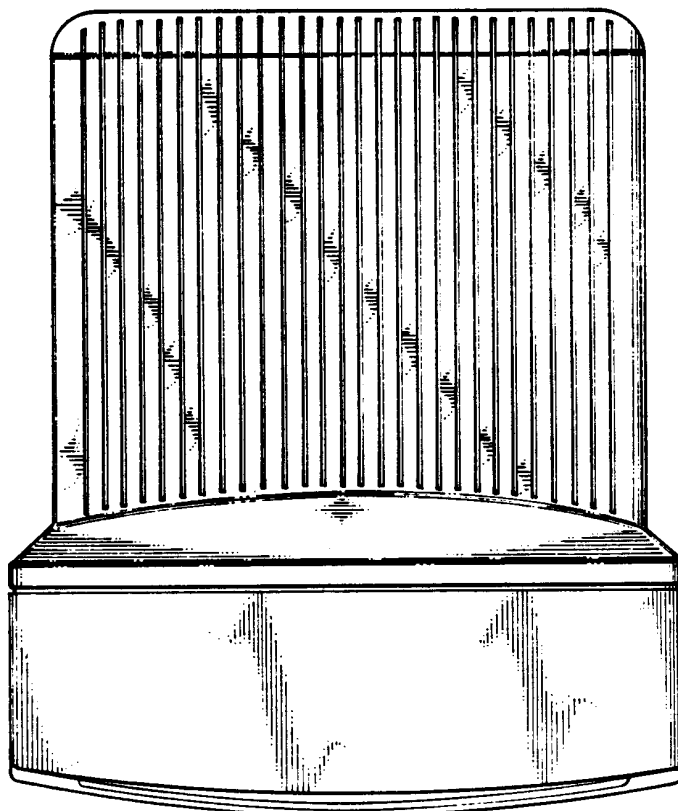


Fig. 2

Fig. 3

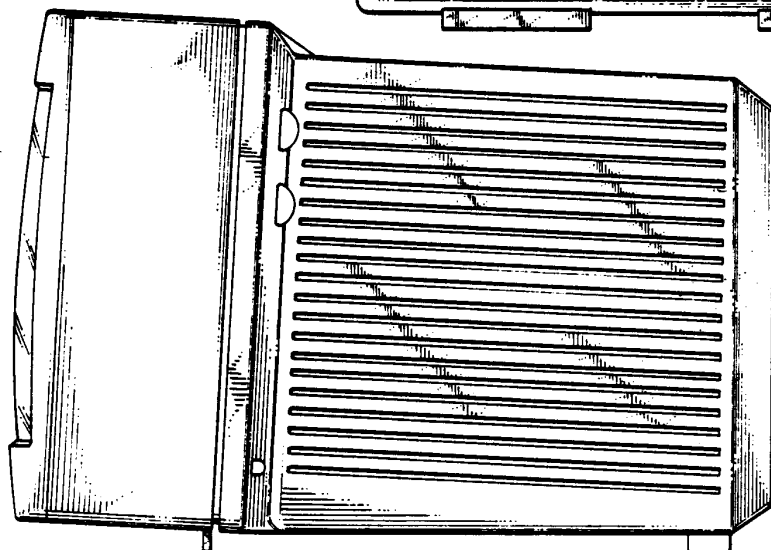
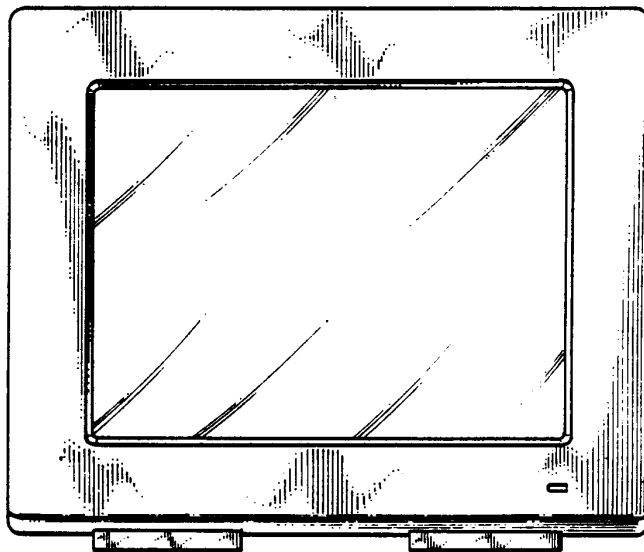


Fig. 4

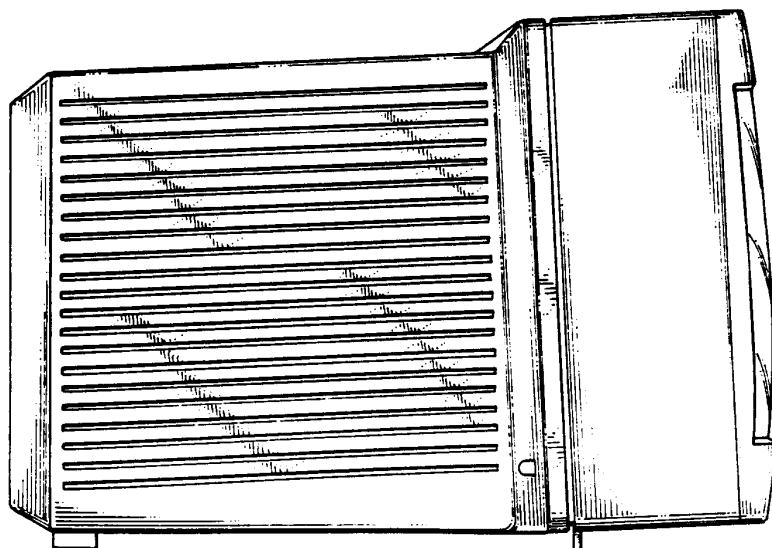


Fig. 5

U.S. Patent

May 29, 1990

Sheet 3 of 3

D308,196

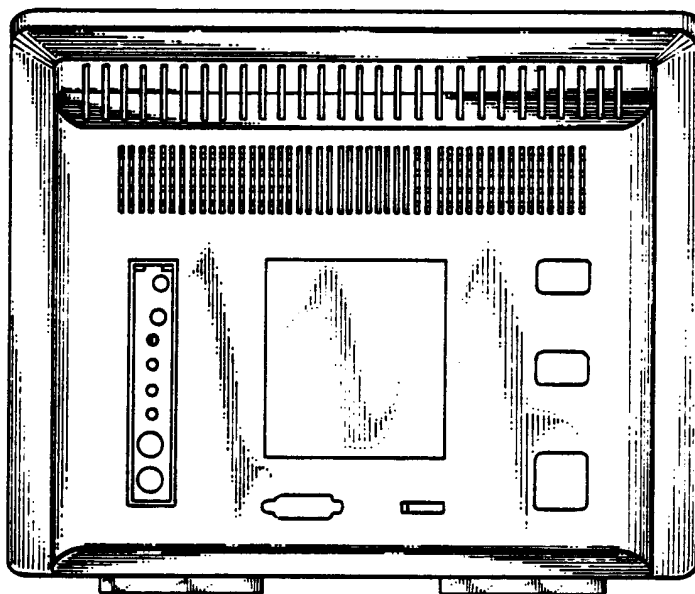


Fig. 6

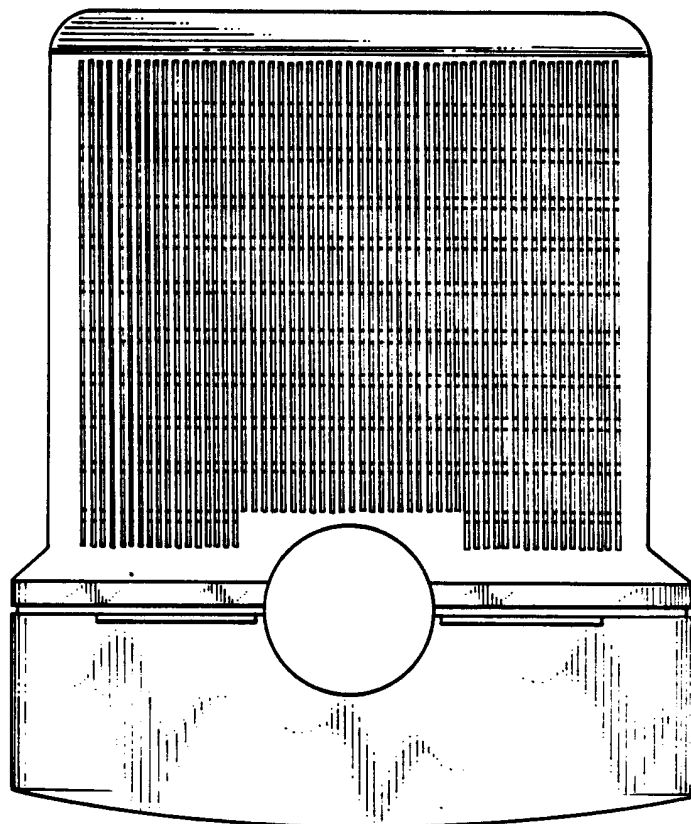


Fig. 7

United States Patent [19]
Esslinger et al.

[11] **Patent Number:** **Des. 313,403**
[45] **Date of Patent:** **** Jan. 1, 1991**

[54] **PORTABLE COMPUTER OR SIMILAR ARTICLE**
[75] **Inventors:** **Hartmut H. Esslinger, Los Gatos; Eric I. Gruenberg, Soquel; James R. Stewart, San Jose, all of Calif.**

[73] **Assignee:** **Apple Computer, Inc., Cupertino, Calif.**

[**] **Term:** **14 Years**

[21] **Appl. No.:** **299,850**

[22] **Filed:** **Jan. 23, 1989**

[52] **U.S. Cl.** **D14/106**

[58] **Field of Search** **D14/100, 105, 106, 107, D14/113, 115; D18/1, 7, 11, 12; 235/145 A, 145 R; 340/700, 706, 711, 712; 341/22, 23; 358/249, 254; 364/706-710; 206/305**

[56] **References Cited**

U.S. PATENT DOCUMENTS

D. 290,256 6/1987 Sapper D14/106

D. 299,031 12/1988 Sugano D14/106
D. 303,523 9/1989 Shiozawa et al. D14/106
D. 305,883 2/1990 Burton D14/106
4,790,431 12/1988 Reel et al. 206/305
4,837,590 6/1989 Sprague 206/305

Primary Examiner—Wallace R. Burke
Assistant Examiner—Freda S. Nunn
Attorney, Agent, or Firm—Franklyn C. Weiss

[57] **CLAIM**

The ornamental design for a portable computer or similar article, as shown and described.

DESCRIPTION

FIG. 1 is a top, front, right side perspective view of a portable computer or similar article showing our new design;

FIG. 2 is a right side elevational view thereof;

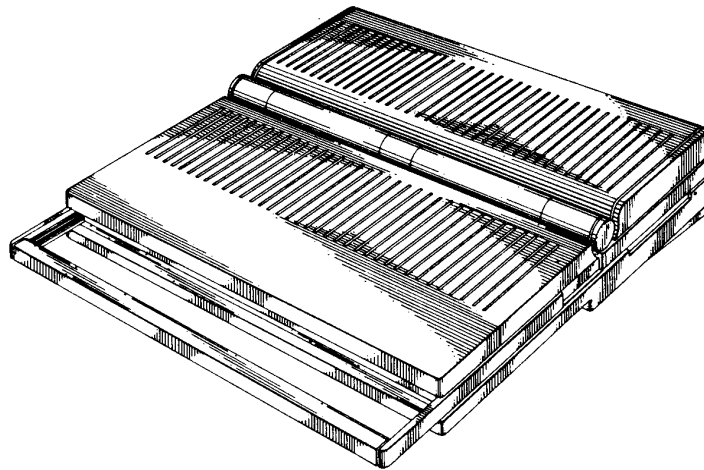
FIG. 3 is a left side elevational view thereof;

FIG. 4 is a top plan view thereof;

FIG. 5 is a front elevational view thereof;

FIG. 6 is a bottom plan view thereof; and

FIG. 7 is a rear elevational view thereof.



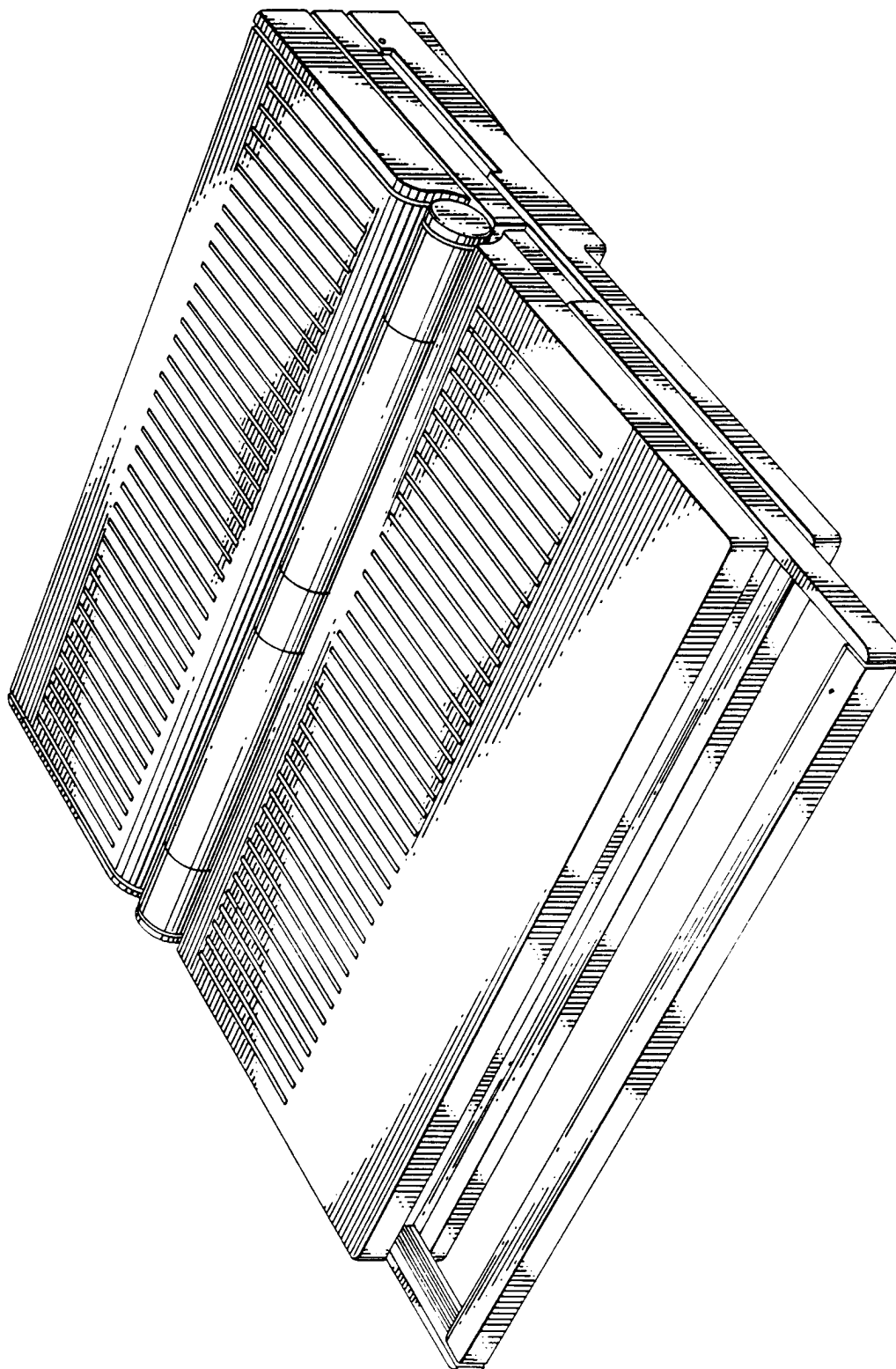
Macintosh
Portable

U.S. Patent

Jan. 1, 1991

Sheet 1 of 2

D313,403



FILE

U.S. Patent

Jan. 1, 1991

Sheet 2 of 2

D313,403

FIG 2

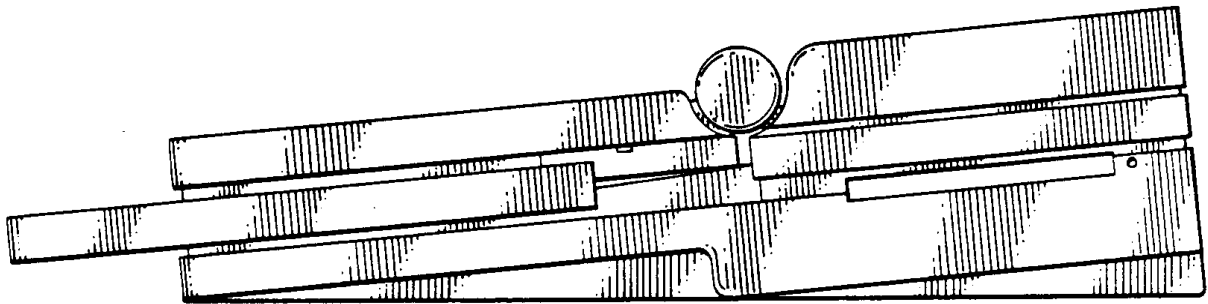


FIG 3

