

The Apple II Revision 07 Main Board

The main logic board of your Apple is a 'Revision 07' board. This means it is slightly different from the Apple boards which are described in the Apple II Reference Manual. It will not, however, behave differently in any specific way unless you have changes made to it. This Revision 07 board has greater flexibility than earlier boards.

You will know you have a Revision 07 board by looking at the white F on the far left side of the board. You'll see there a nine digit number which ends in '-07'.

The major differences in the Revision 07 board are described below. Also, the attached schematics show the areas in which the Revision 07 board is different from earlier boards. You may wish to note these differences in your Apple II Reference manual, on the pages which correspond to the schematics here.

* The Revision 07 board does not have RAM configuration blocks. This means the RAM Integrated Circuits (ICs) which give your Apple its memory MUST be 16K byte ICs. All of the RAM ICs in your Apple are within the white-outlined box on the board. If you add memory to your Apple, make sure all the ICs you add in this box are 16K ICs.

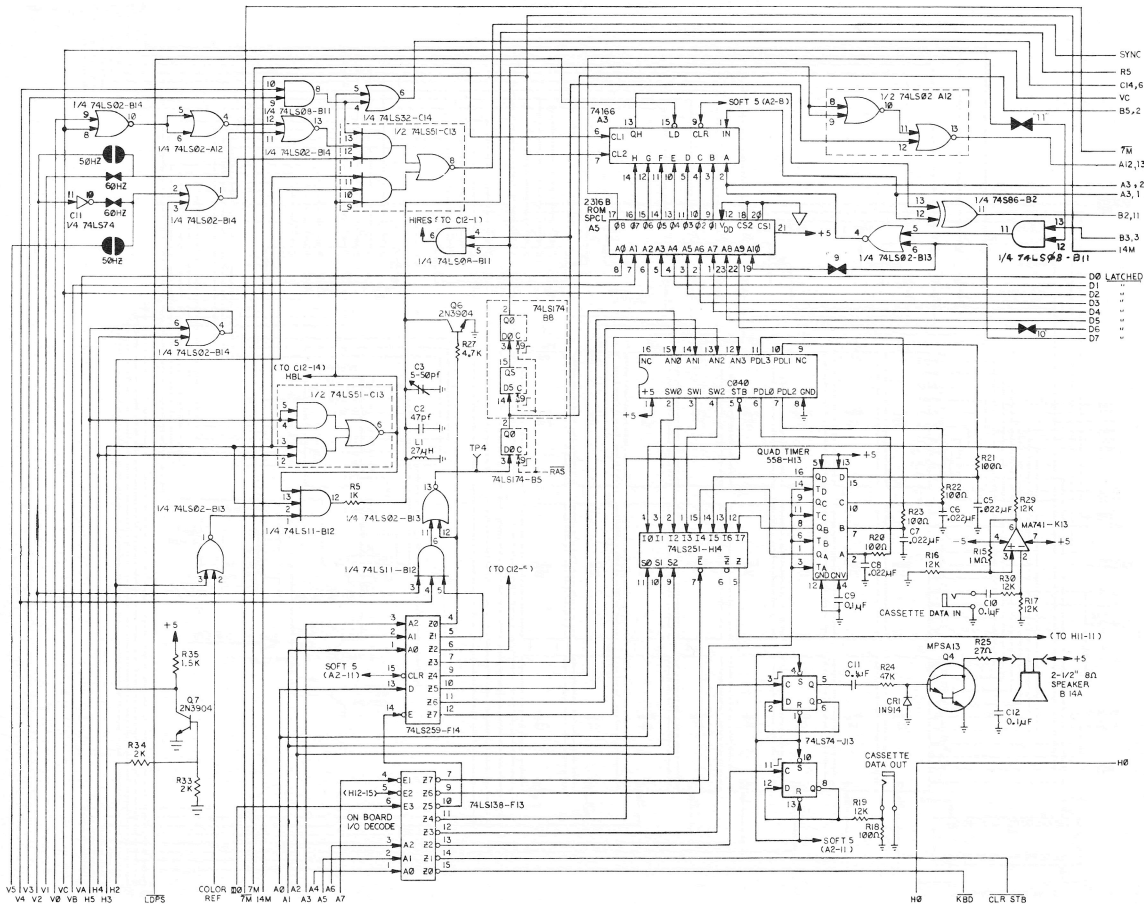
* The IC which controlled the configuration blocks in the older versions of the Apple II board is no longer there. It was formerly in the E2 position on the Apple board (in the row labeled E, the second IC from the left of the board) and was marked 74LS139.

* The Revision 07 board has a different character generator ROM IC. The character generator ROM IC determines what style of lettering, or character set, you'll see on your monitor or terminal screen. The new character generator ROM is found next to the Keyboard socket on the main board. This 2316B ROM has much more ROM (Read Only Memory) space than the former 2513 character generator ROM, so that it's possible to have more than one character set available. The 2316B ROM can also be replaced with a 2716 EPROM, which allows you to program and change your character sets.

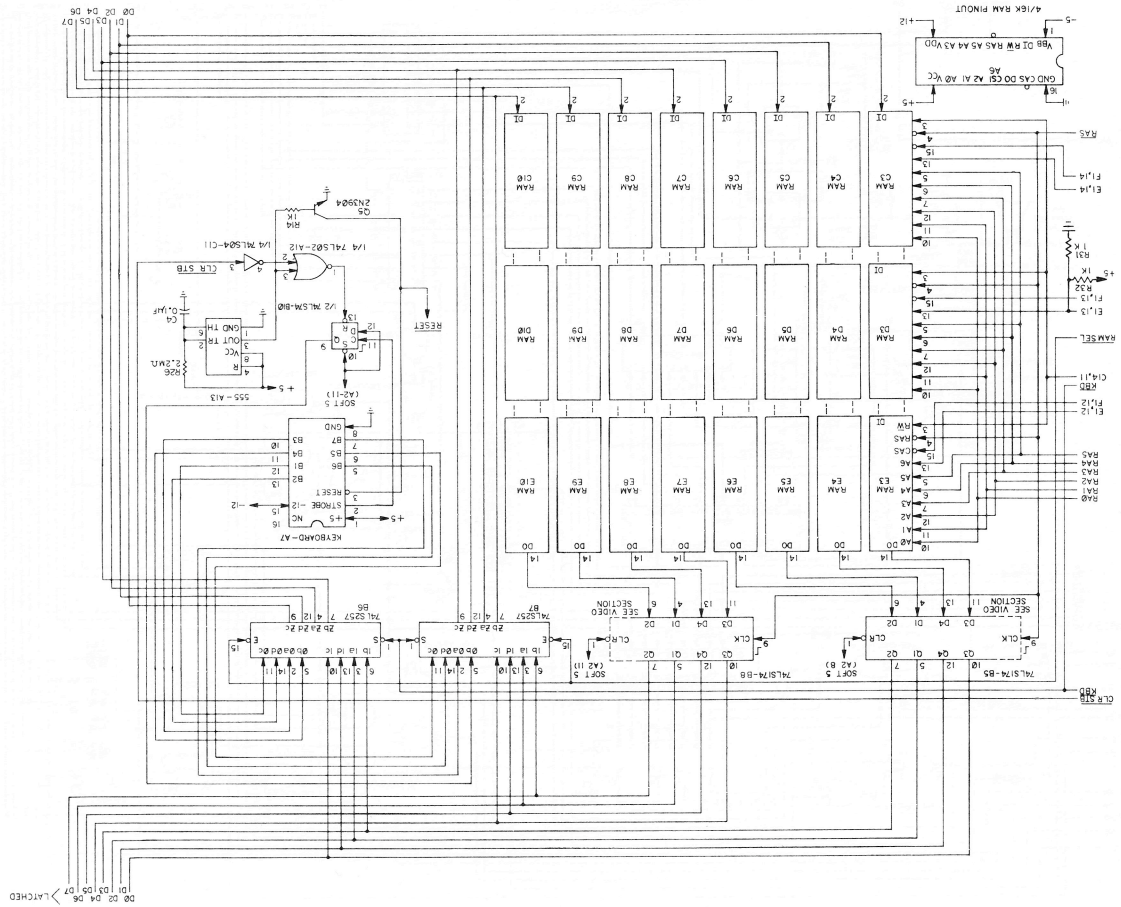
* An inverter circuit has been added in the H2 line, which is a video synchronization signal. This alters the video synchronization pulse rate of the Apple so that is more compatible with modern TVs that have digital synchronization circuitry.

* Two 1K resistors have been added on address line A6 to reduce noise in that line of RAM.

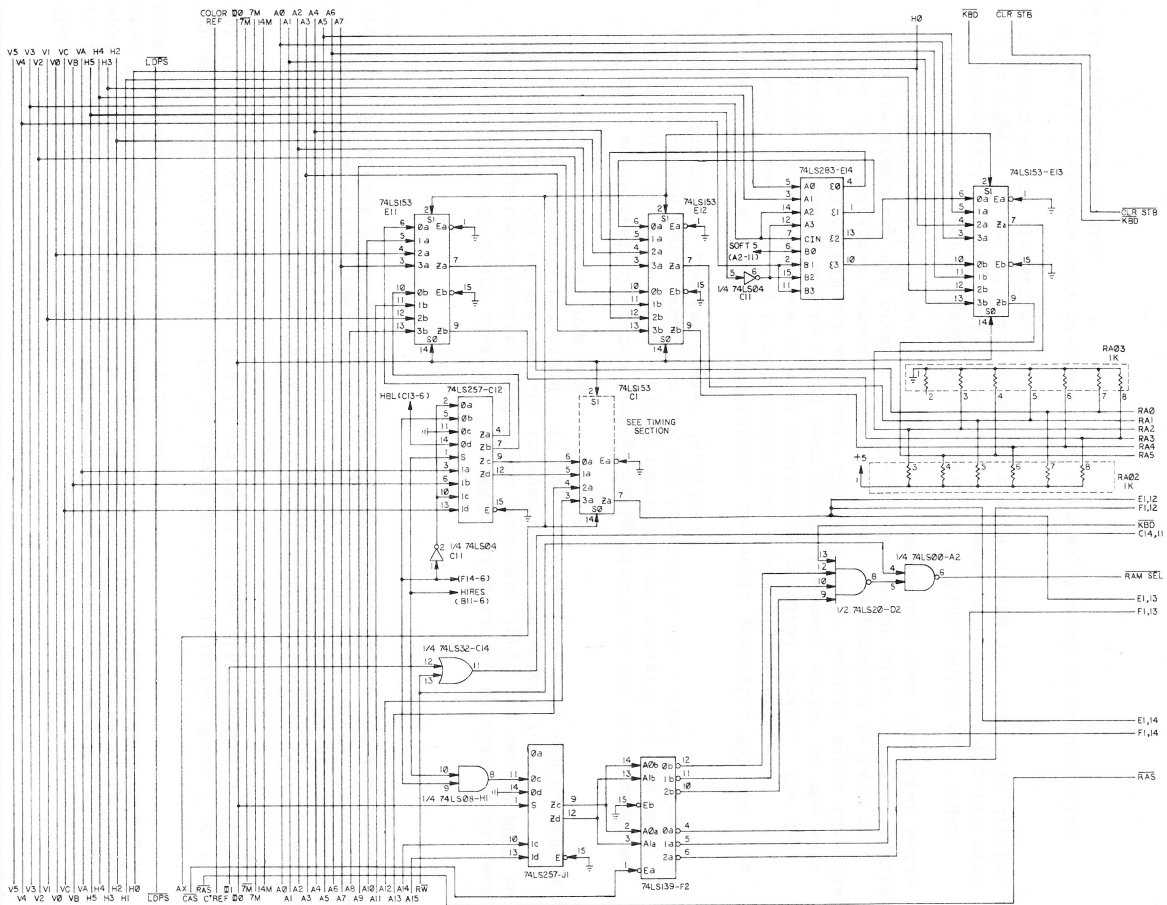
APPLE Part #031-0072-00



Replaces Figure 22-5. Schematic Diagram of the Apple II



Replaces Figure 22-4. Schematic Diagram of the Apple II



Replaces Figure 22-3. Schematic Diagram of the Apple II