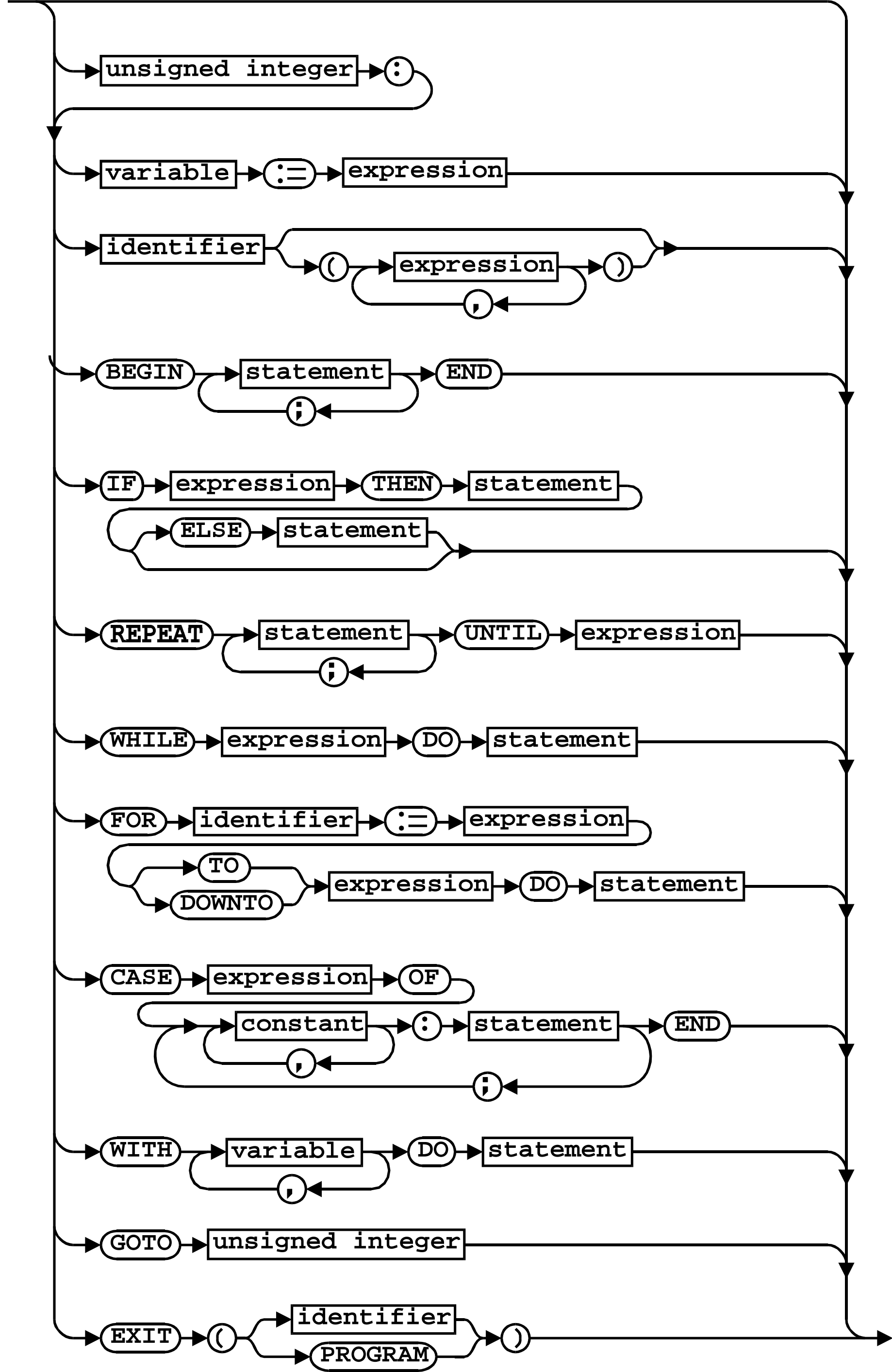
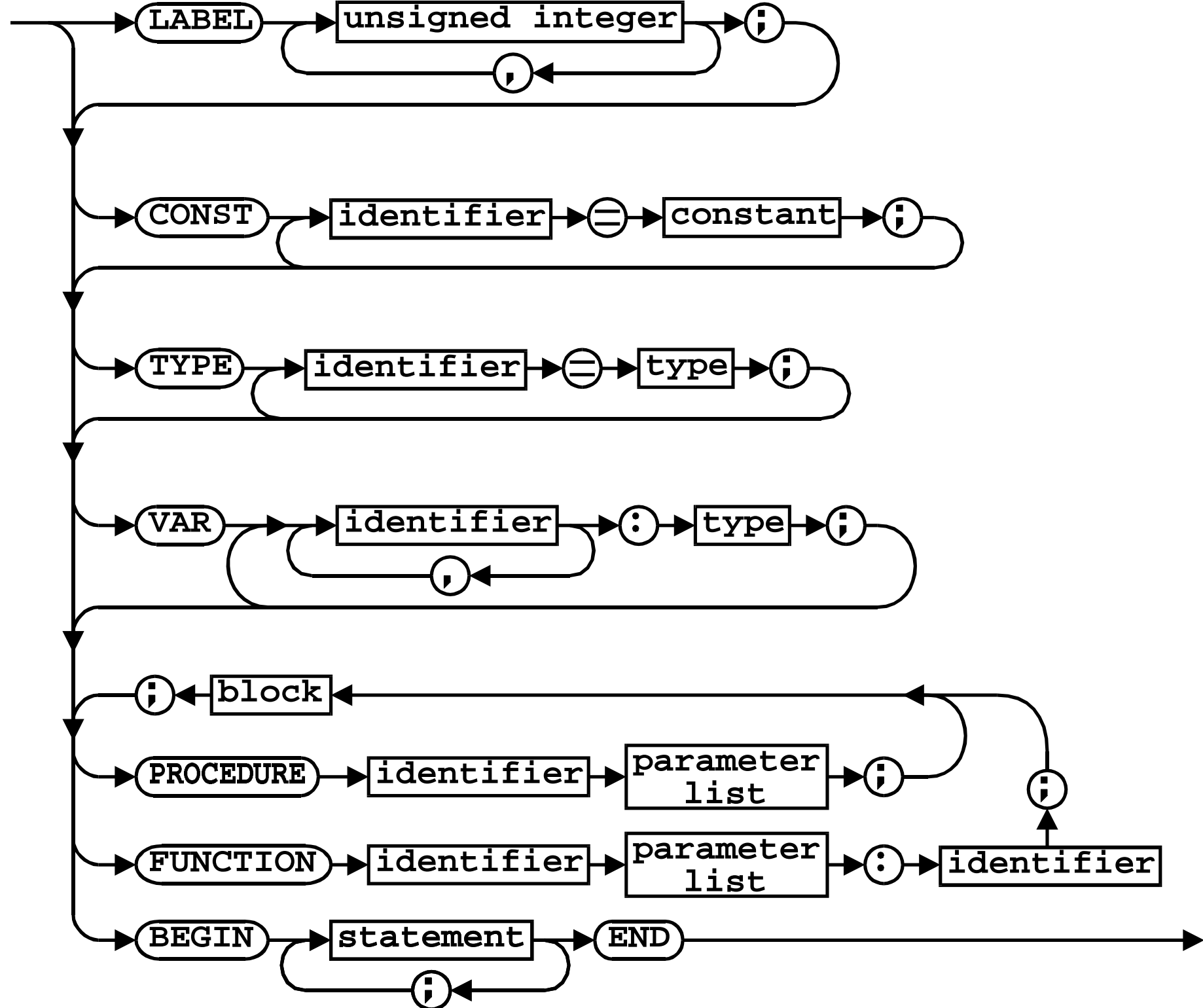


# Pascal

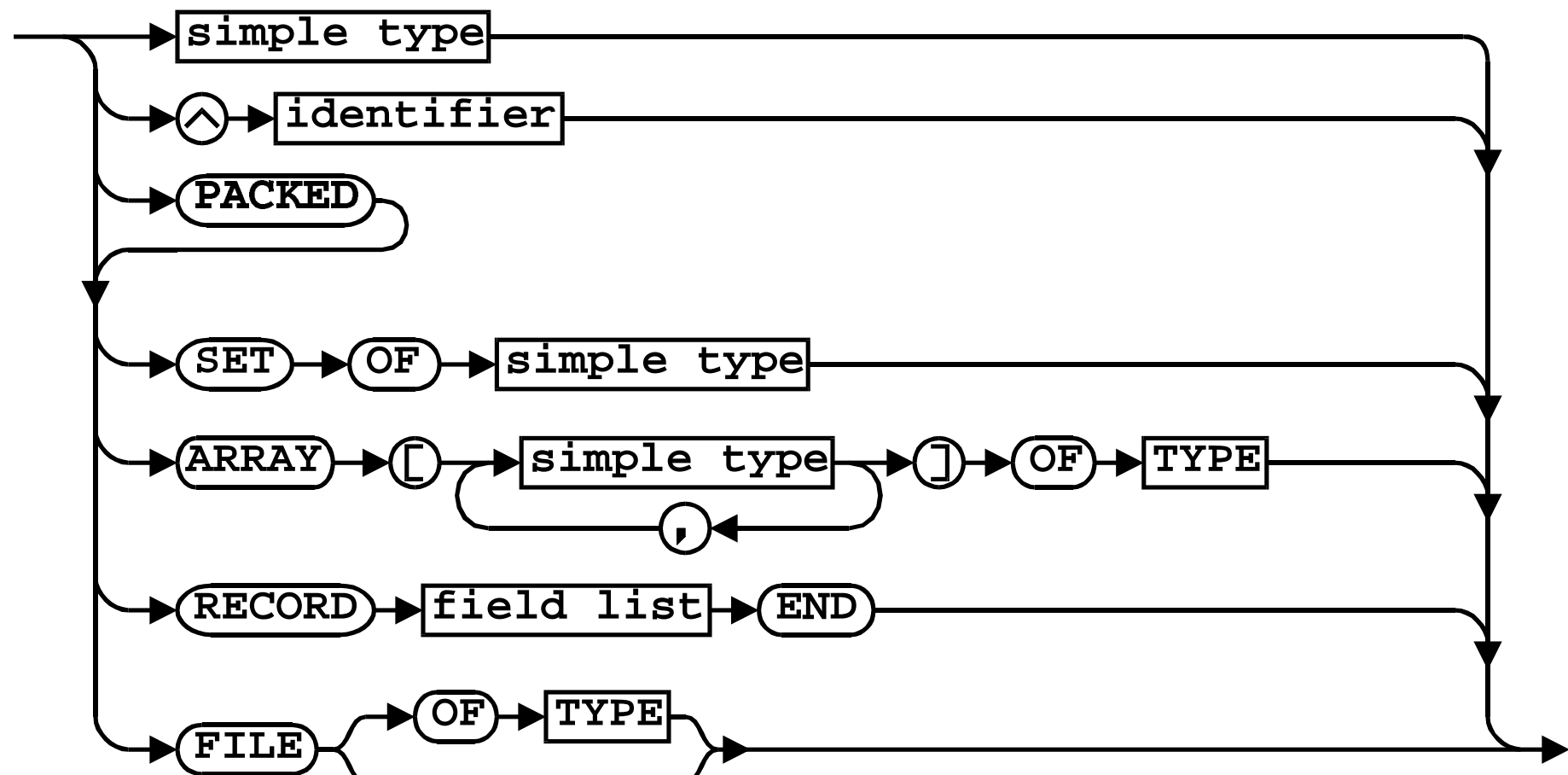
## STATEMENT



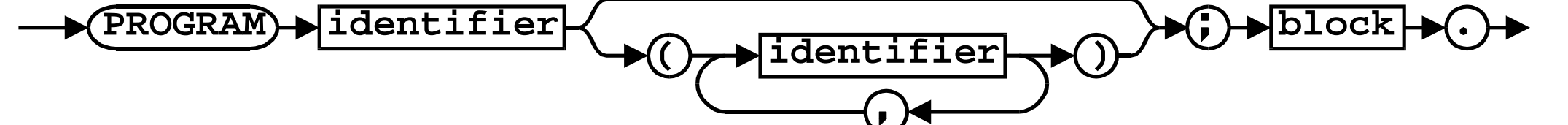
## BLOCK



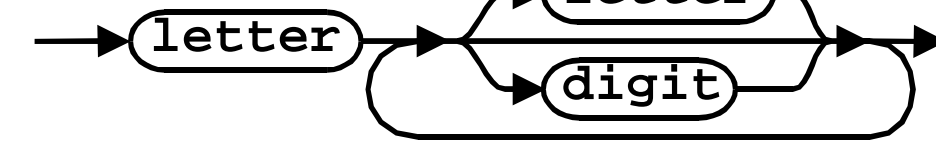
## TYPE



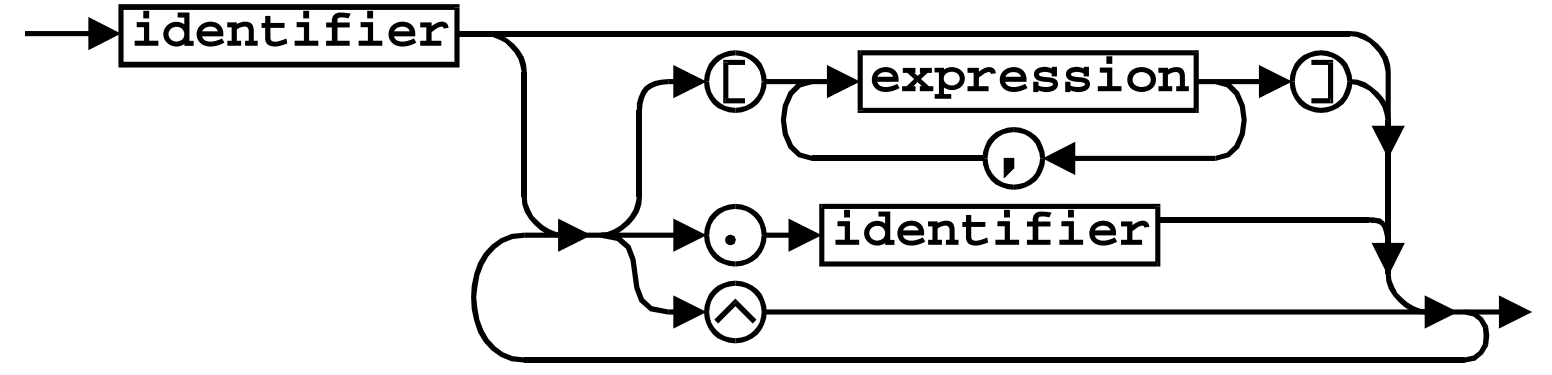
## PROGRAM



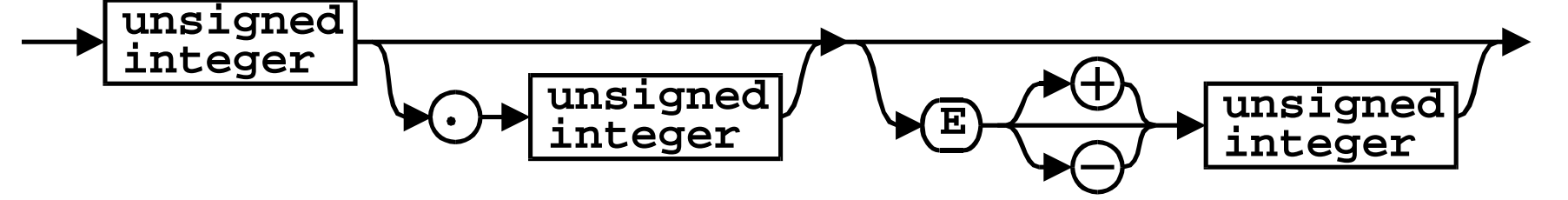
## IDENTIFIER



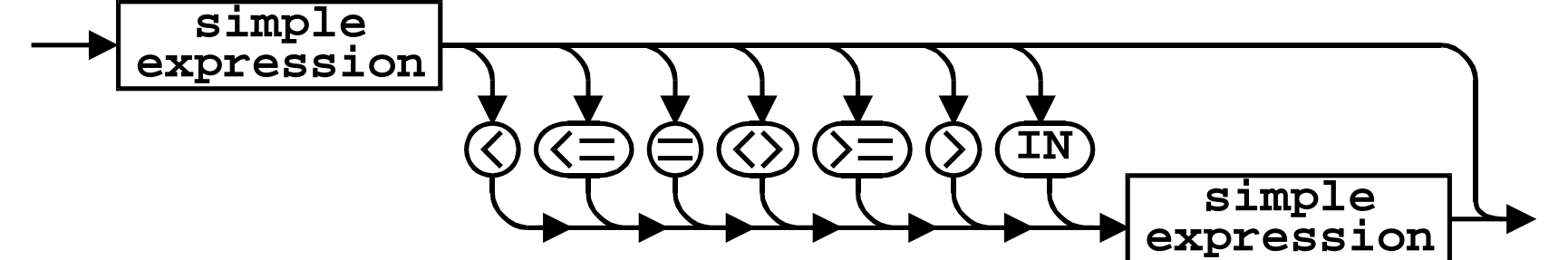
## VARIABLE



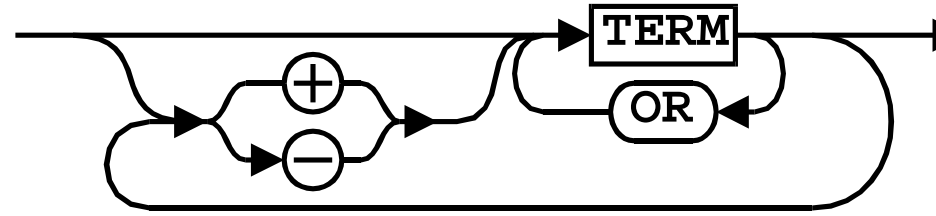
## UNSIGNED NUMBER



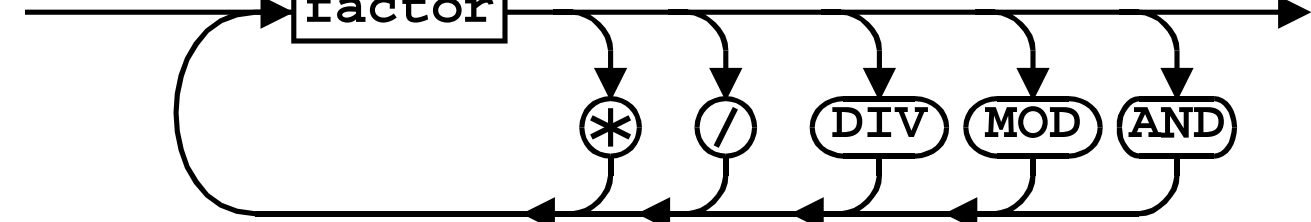
## EXPRESSION



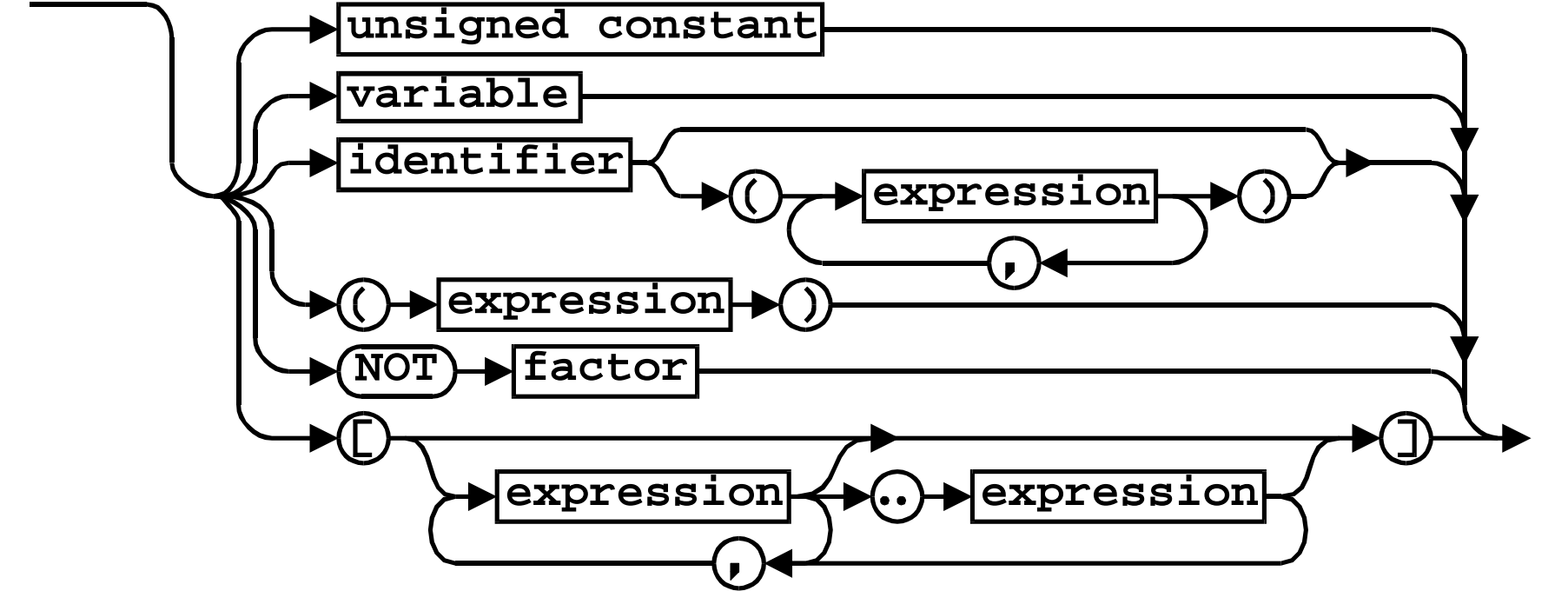
## SIMPLE EXPRESSION



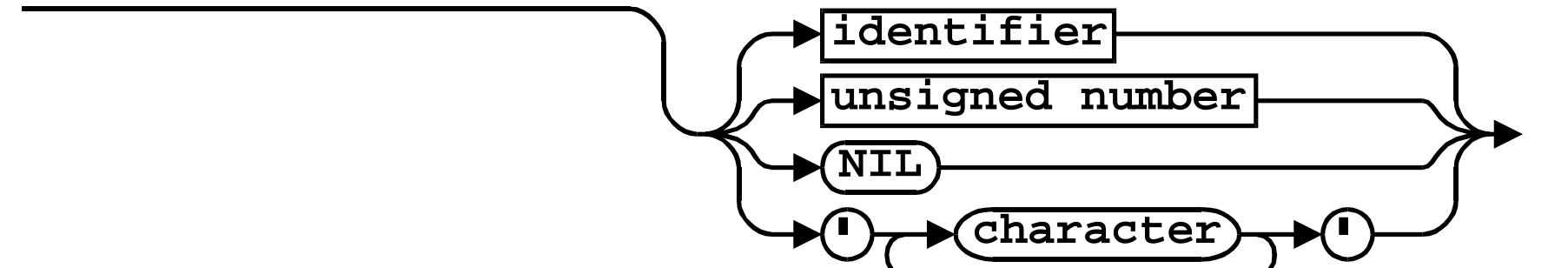
## TERM



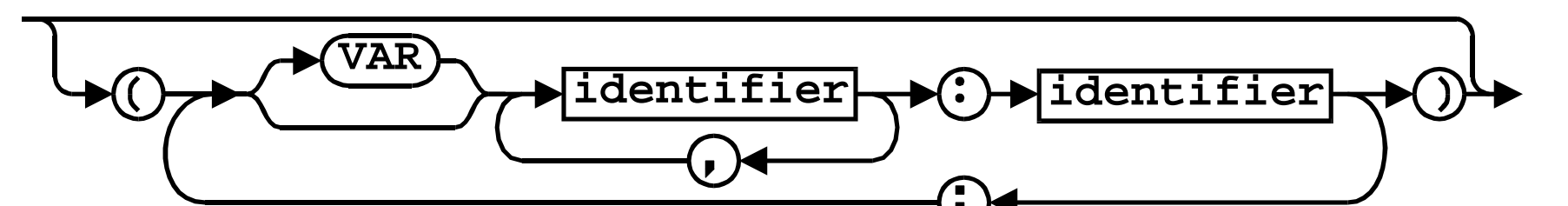
## FACTOR



## UNSIGNED CONSTANT



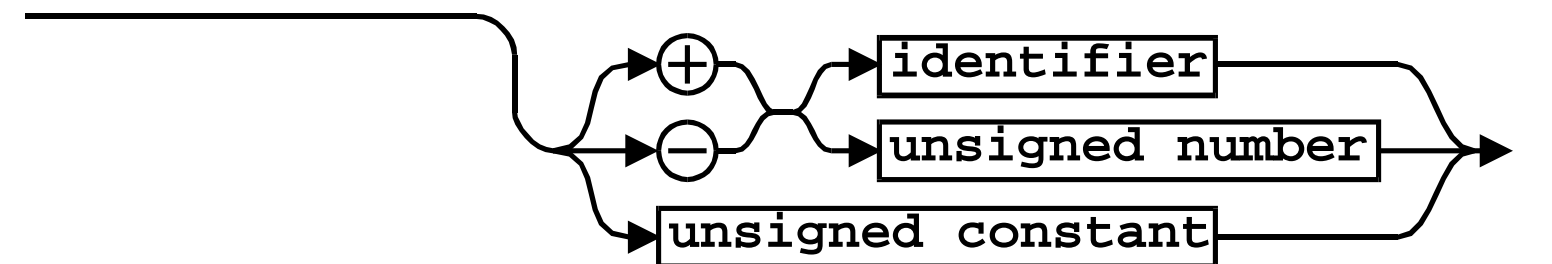
## PARAMETER LIST



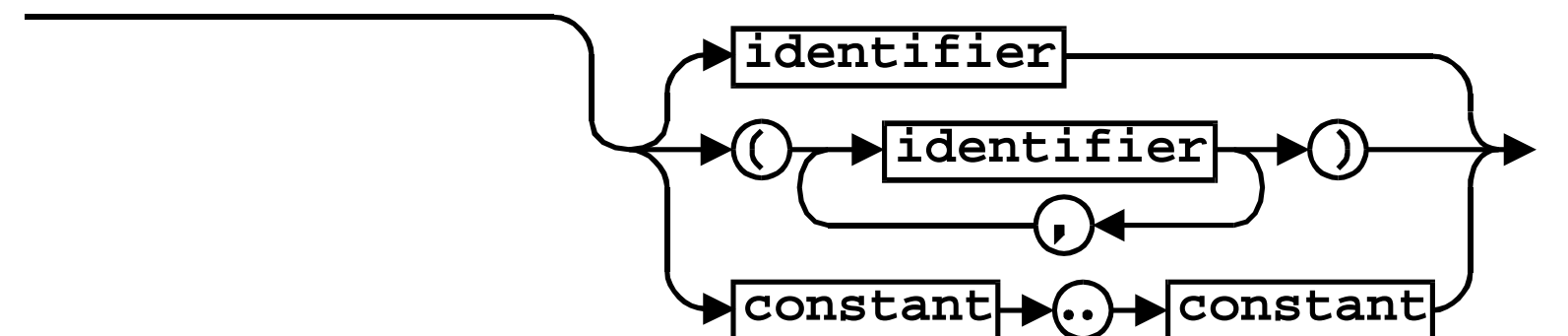
## UNSIGNED INTEGER



## CONSTANT



## SIMPLE TYPE



## FIELD LIST

